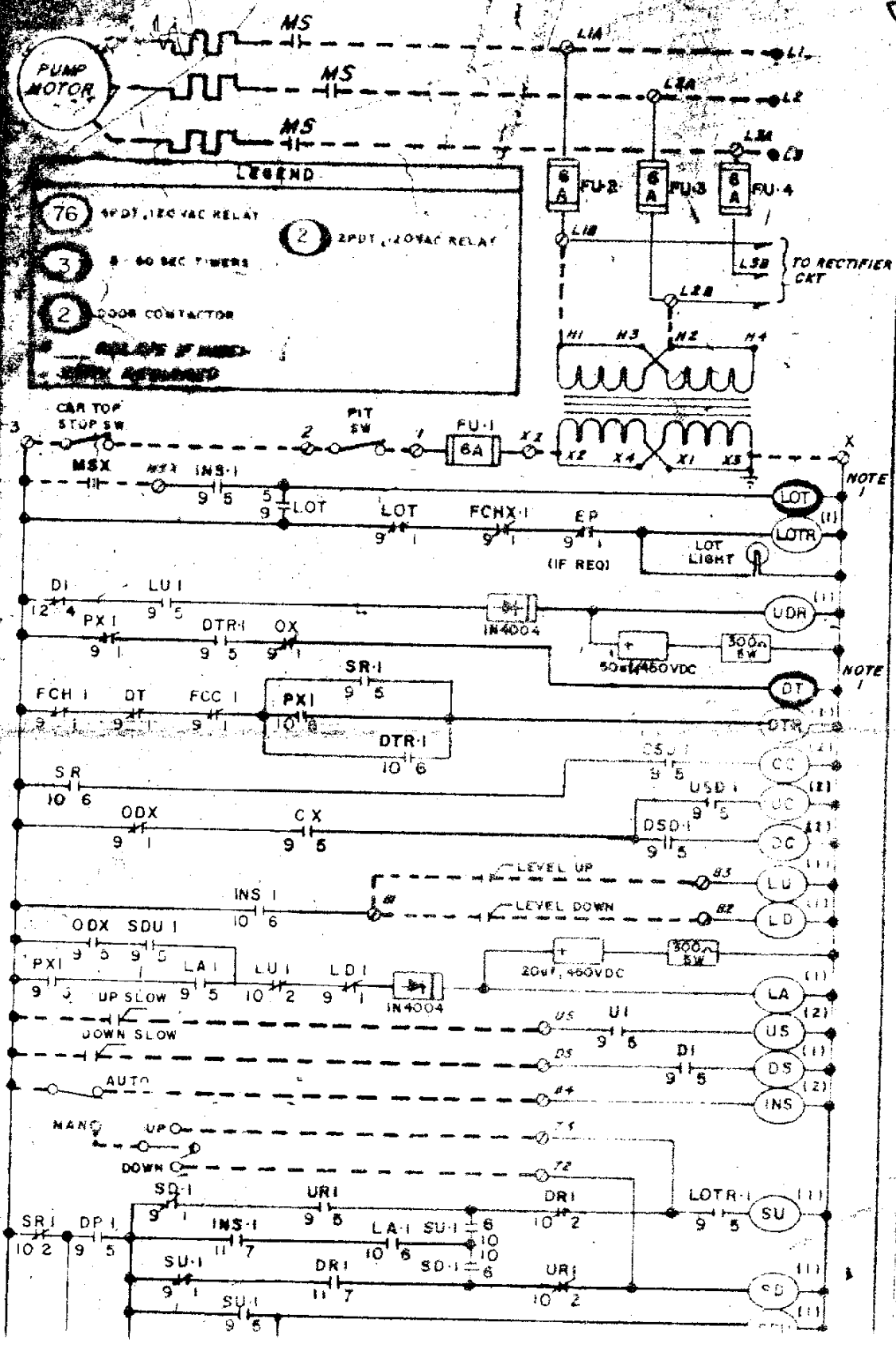
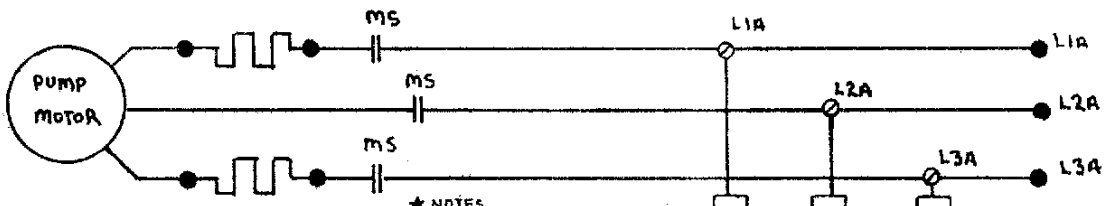


SAND DOLLAR 81





LEGEND

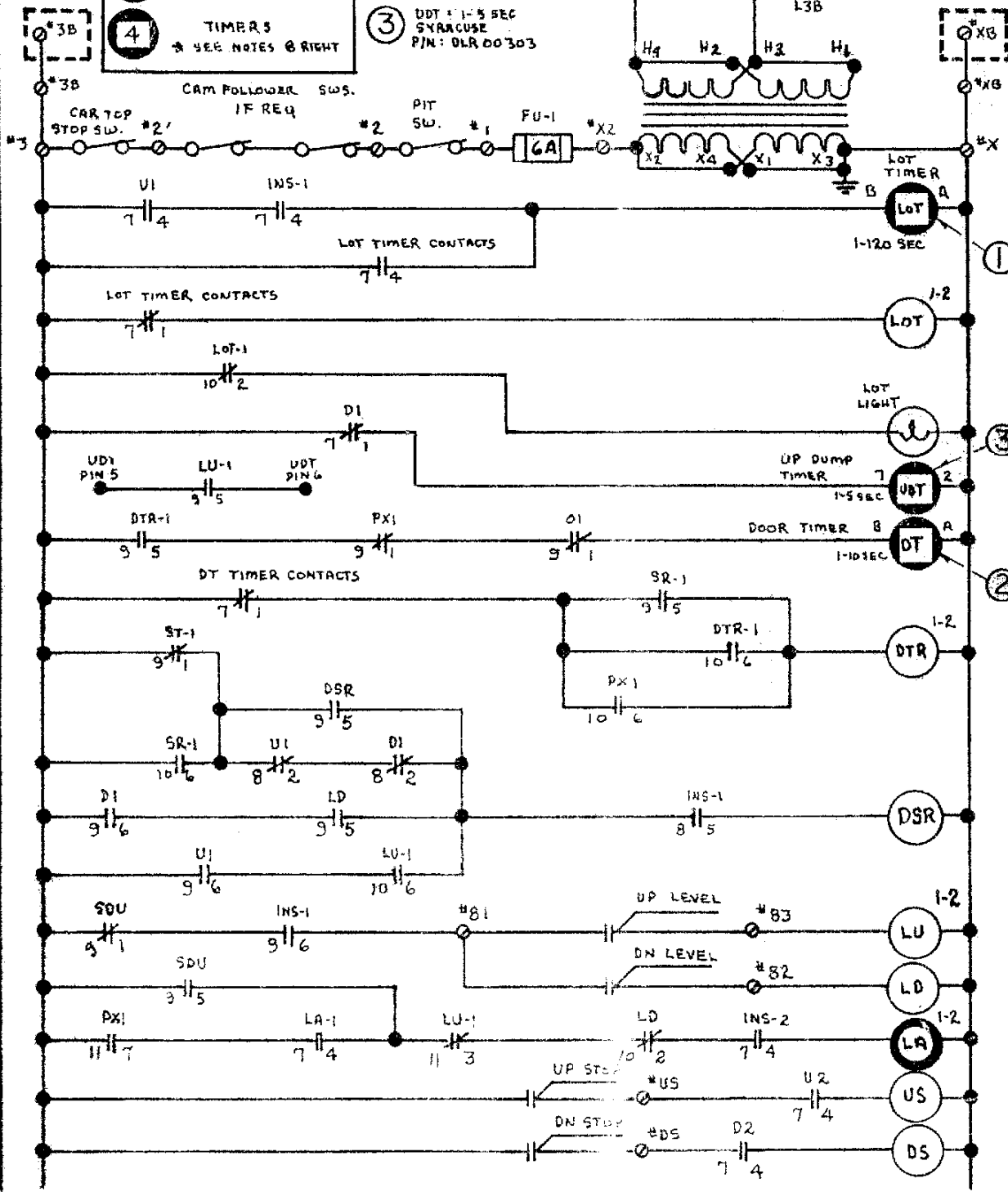
88 SMALL RELAYS
POTTER & BRUMFIELD
P/N: KH-5485

20 LARGE RELAYS
POTTER & BRUMFIELD
P/N: KUP14A35

4 TIMERS
SEE NOTES & RIGHT

- * NOTES**
ALL AREAS ENCLOSED IN DOTTED LINES ARE LOCATED ON 'A' CONT.
- ① LOT 1-120 SEC
POTTER & BRUMFIELD
P/N: CUB-50-70120
 - ② DT 1-10 SEC
POTTER & BRUMFIELD
P/N: CUB-50-70010
 - ③ DDT 1-5 SEC
SYRACUSE
P/N: OLR 00303

TO VALVE & RECTIFIER CIRCUITS



JOB NO. **G-7594**

JOB NAME & ADDRESS
SANDCASTLE

GENERAL ELEVATOR CORP.
P.O. BOX 7931 855-8630
ORLANDO, FLORIDA 32804

SHEET **26** OF **26**

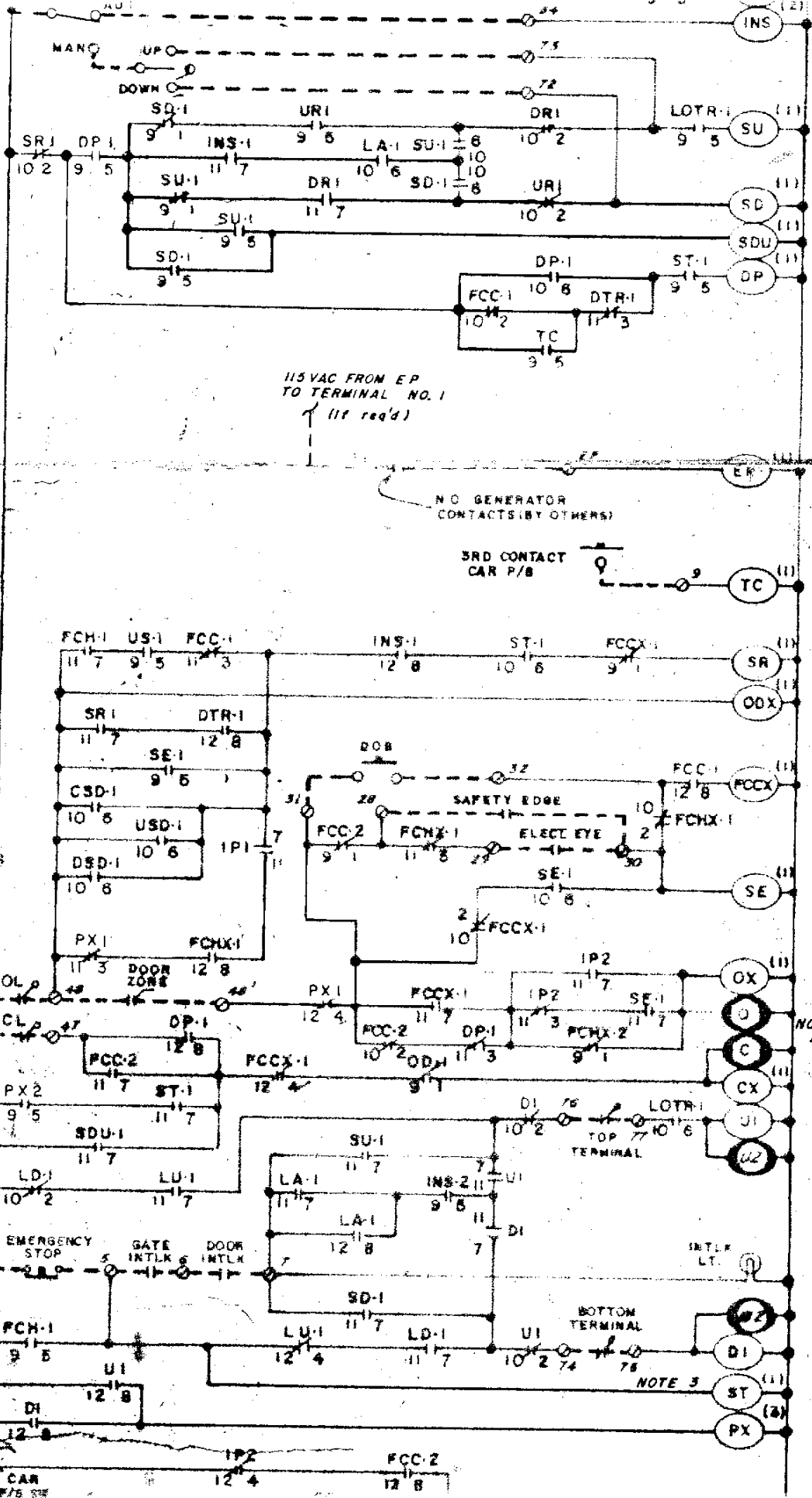
DATE **02-13-74**

DWG NO.

DRAWN BY **ADA**

APPR.

2



115 VAC FROM EP TO TERMINAL NO. 1 (if req'd)

NO GENERATOR CONTACTS (BY OTHERS)

3RD CONTACT CAR P/B

SAFETY EDGE

ELECT EYE

DOOR ZONE

OL

CL

EMERGENCY STOP

GATE INTLK

DOOR INTLK

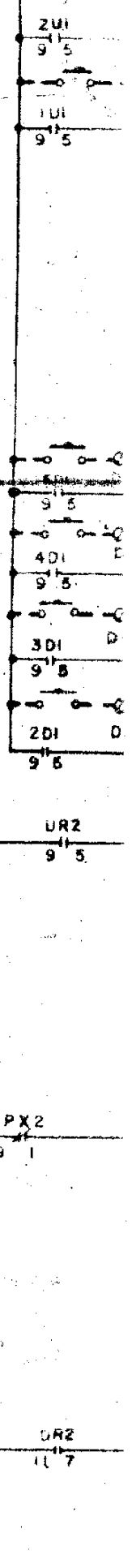
FCH-1

DI

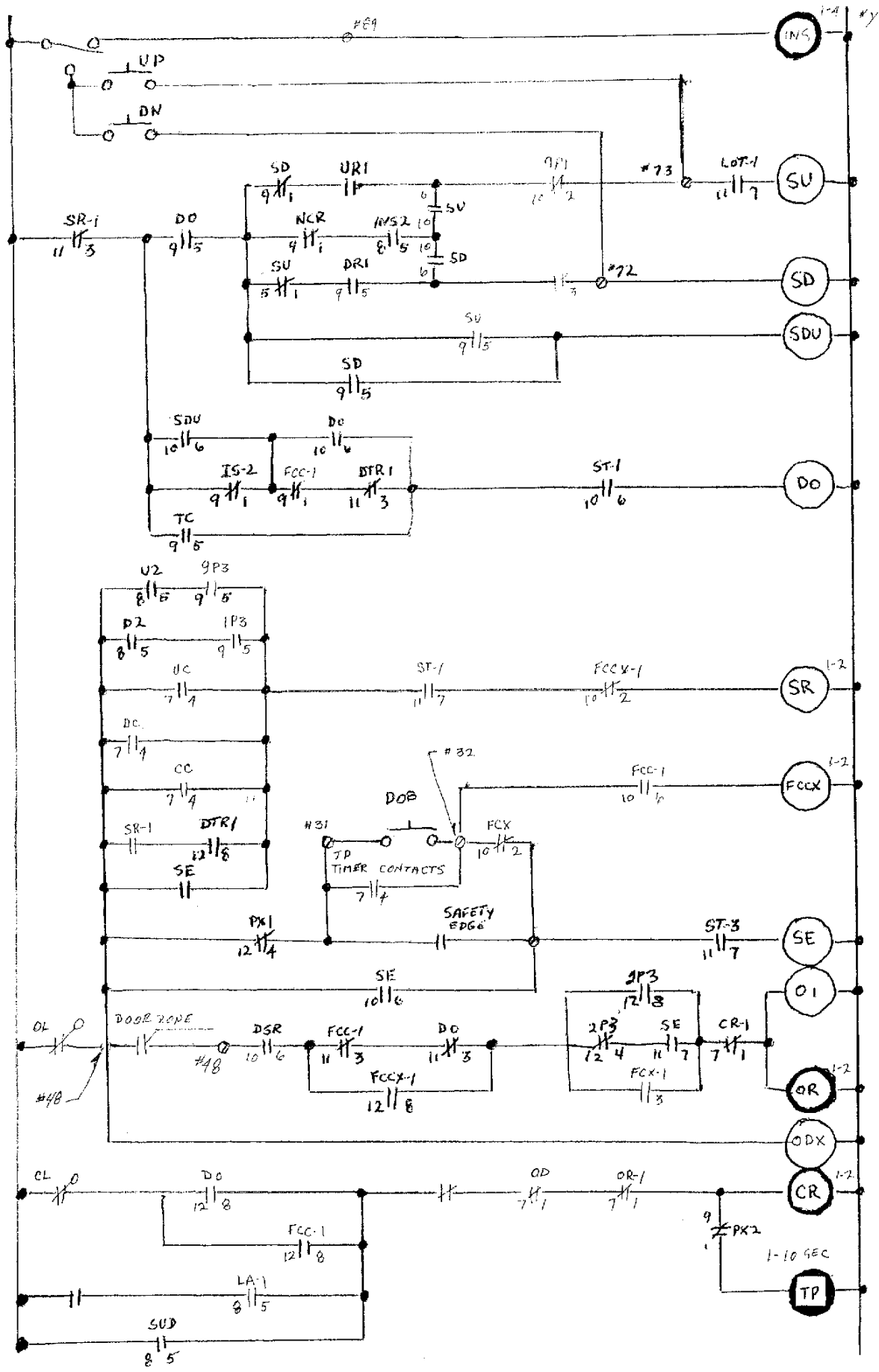
CAR P/B SW

NOTE 2

NOTE 3



3

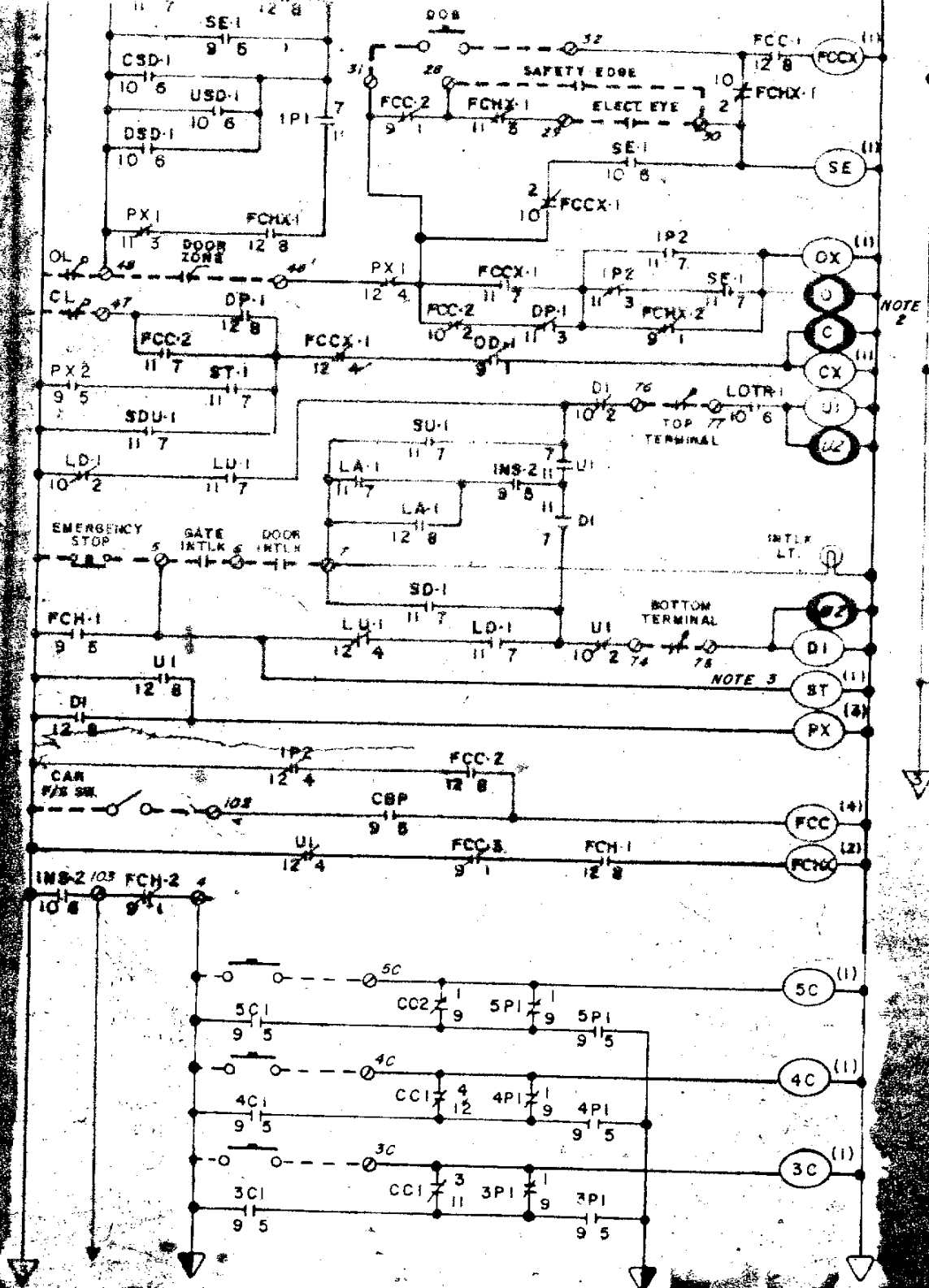


26

G-1593

SANDCASTLE

3

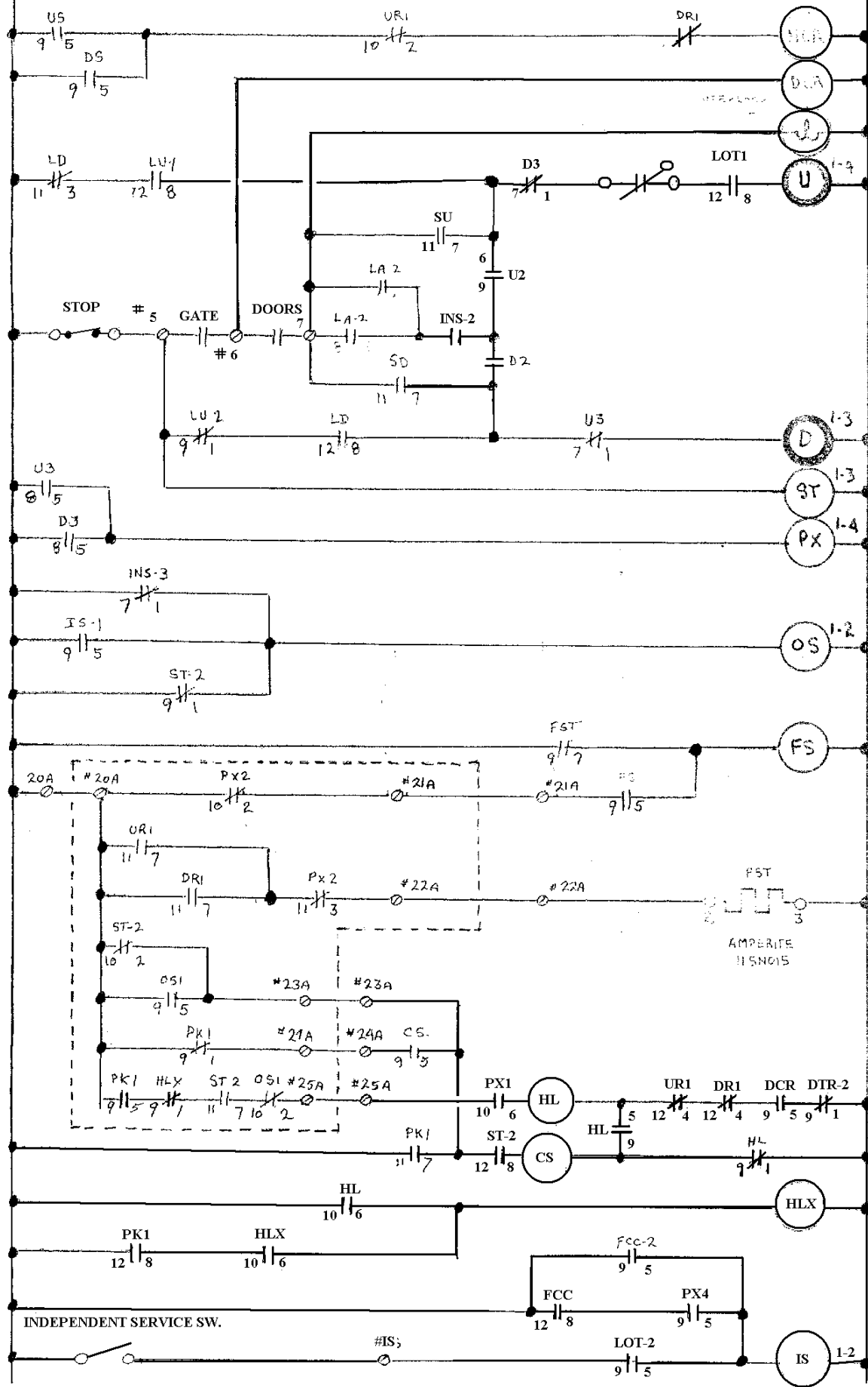


NOTE 2

NOTE 3

3

#3



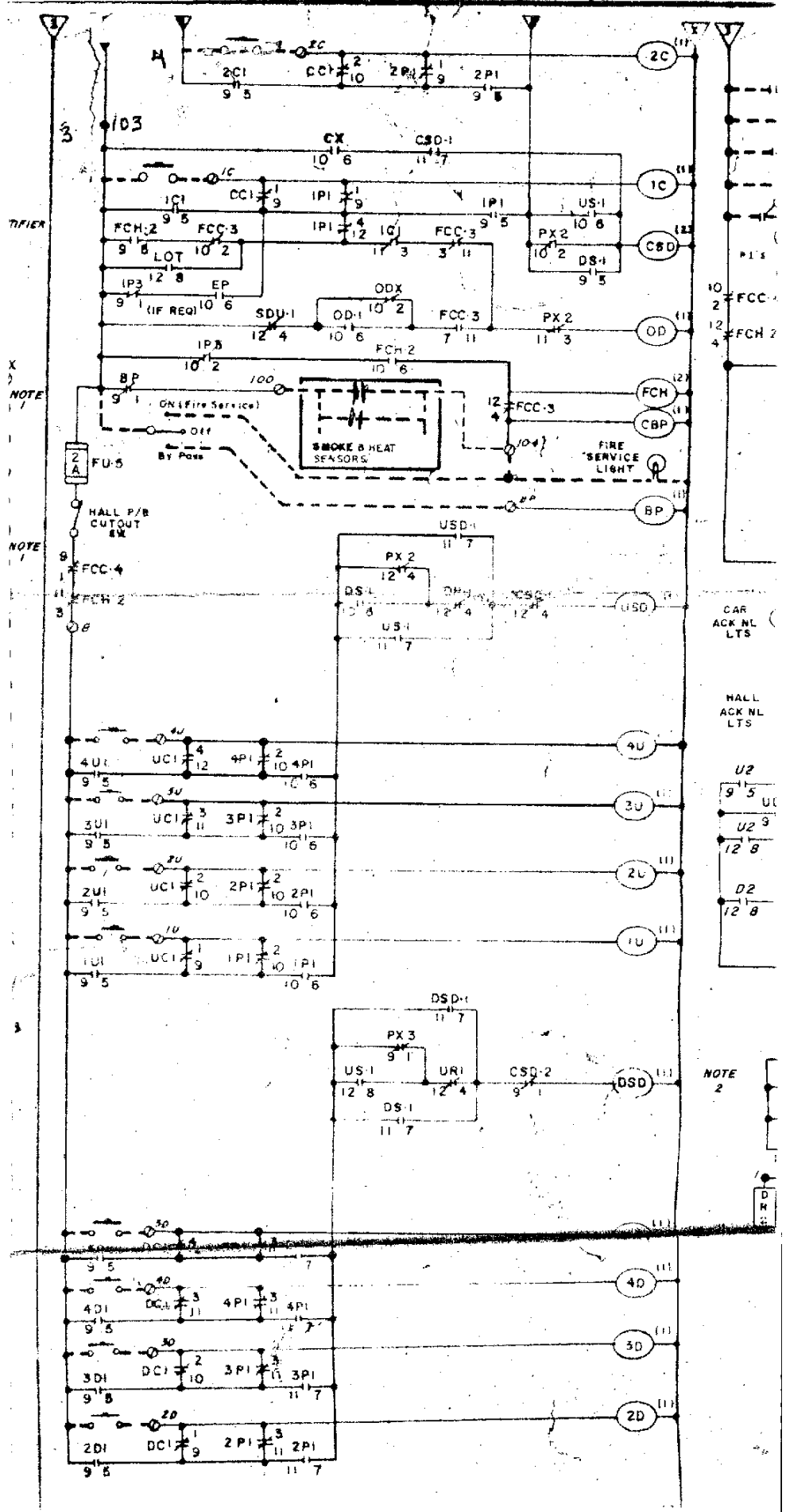
JOB NO. **G-1593**
 SHEET **3** OF **26**
 TYPE SOCIAL SUPPL. DATE
 DRAWN BY **W.D.S.**

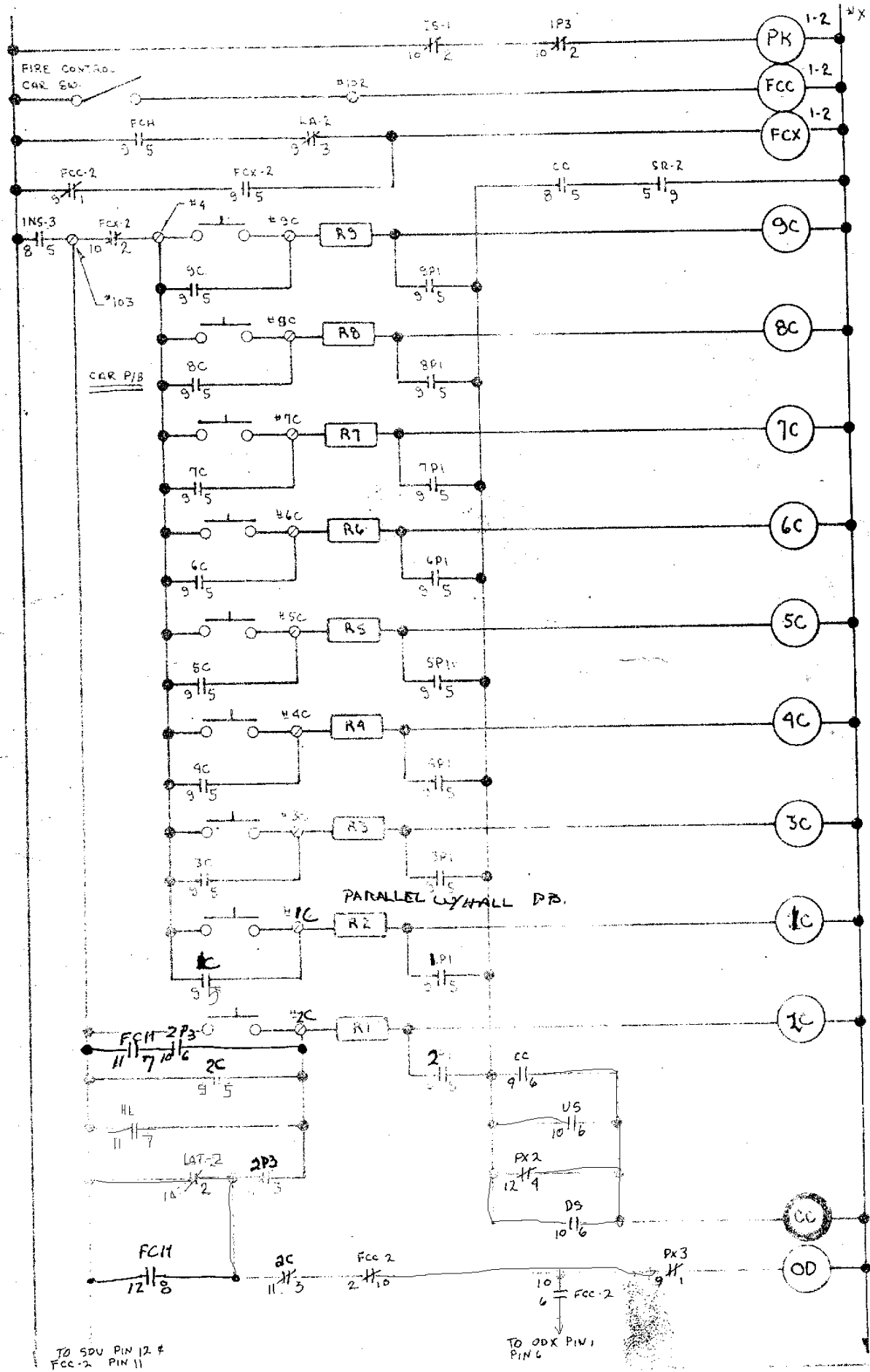
JOB NAME & ADDRESS
SANDCASTLE



GENERAL ELEVATOR CORP.
 P.O. BOX 7931 855-8630
 ATLANTA, GEORGIA 30308

4



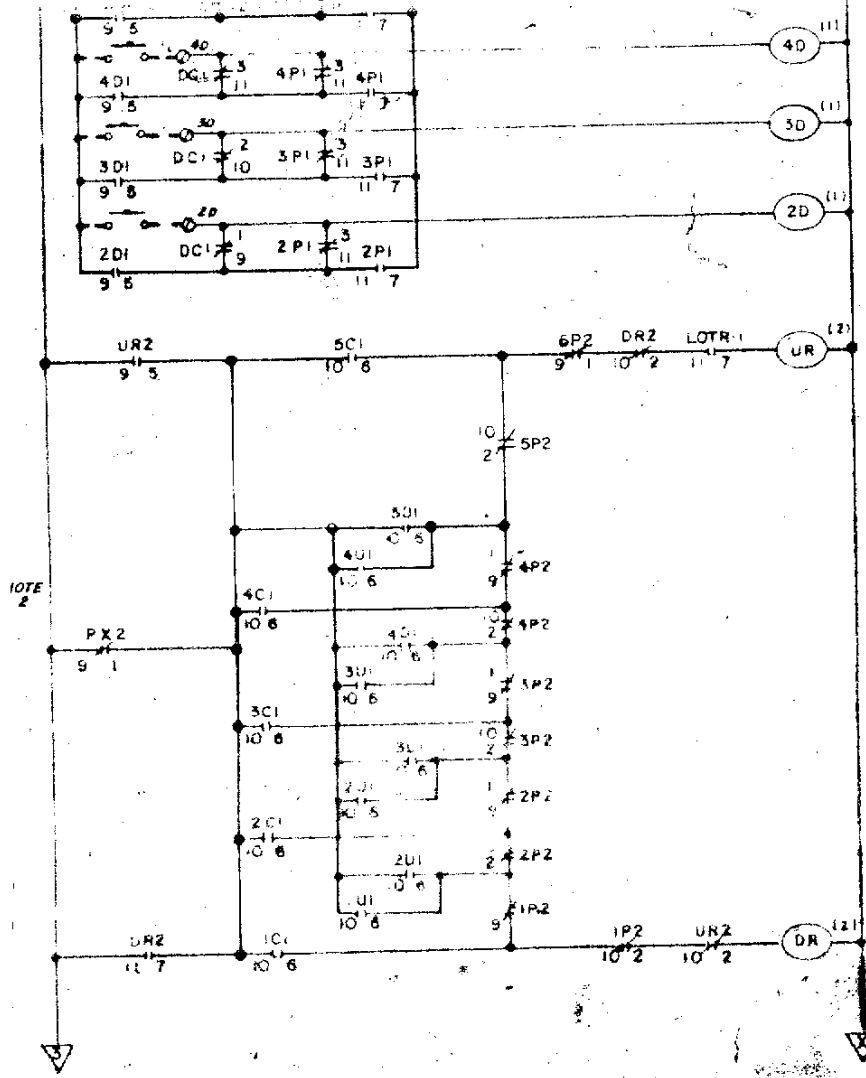


TO SDU PIN 12 &
FCC-2 PIN 11

TO ODX PIN 1
PIN 6

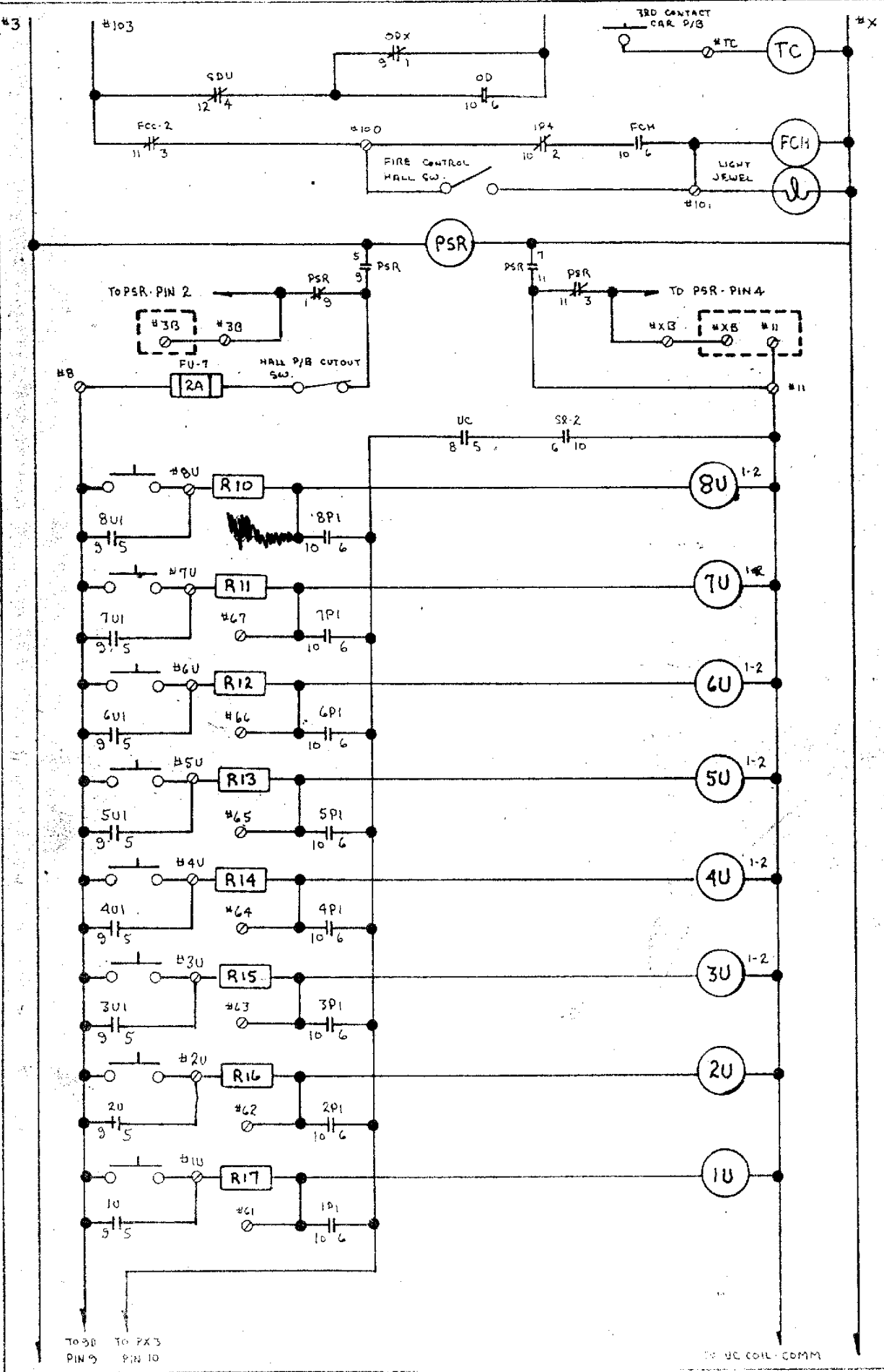
JOB NO G-1593		DRAW BY APPR.	
JOB NAME & ADDRESS SANDCASTLE		SHEET 4 of 26	
GENERAL ELEVATOR CORP. P.O. BOX 7931 855-8630 ORLANDO, FLORIDA 32804		DATE 07-30-74	
GENERAL ELEVATOR		DWG NO.	

5



NOTE 2

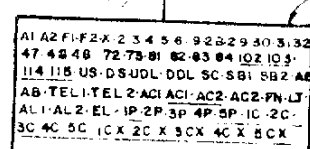
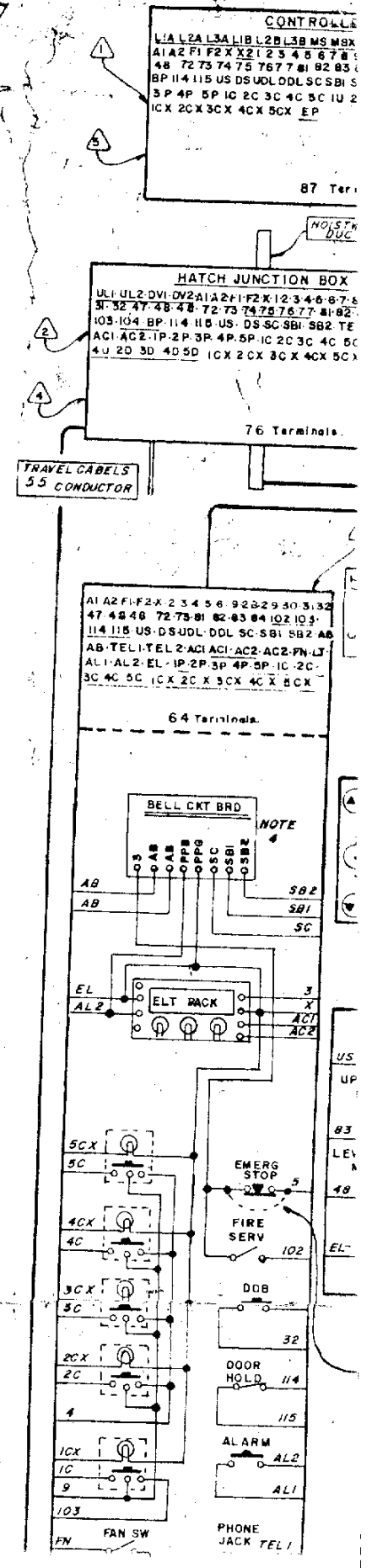
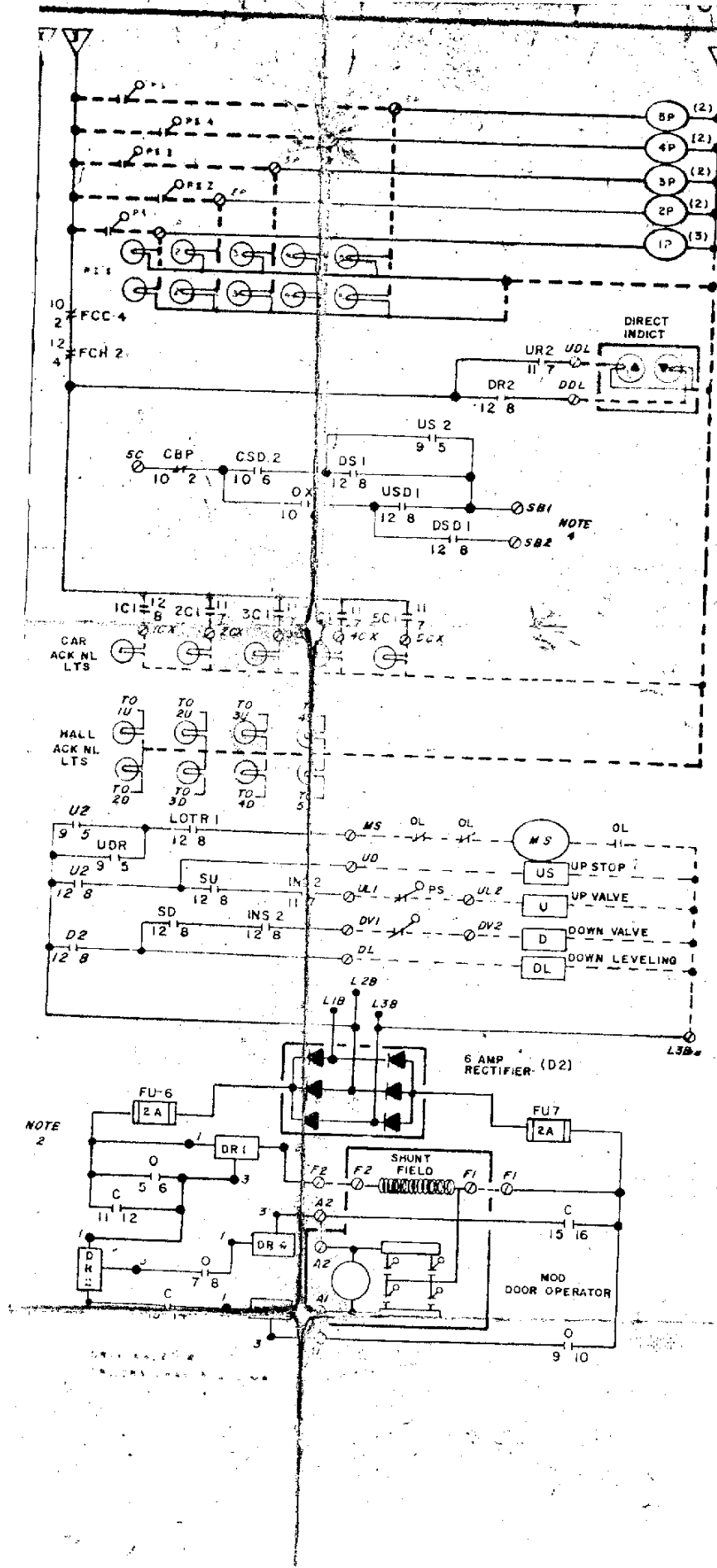
- NOTE:
- 1. Timer contacts are used r.
 - 2. Door contacts refer to su
 - 3. If emergen contacts, do jumper bet
 - 4. If solid s:



JOB NO. G-1993	SHEET 5 of 26	DRAWN BY APPR.
		DATE 04-30-79
		DWG NO.
JOB NAME & ADDRESS SANDCASTLE		
GENERAL ELEVATOR CORP. P.O. BOX 7931 855-8630 ORLANDO, FLORIDA 32804		

1
2
3
4
5
6
7
8
9
10
11
12
13
14
15
16
17
18
19
20
21
22
23
24
25
26

6



NOTE 2

6 AMP RECTIFIER (D2)

SHUNT FIELD

MOD DOOR OPERATOR

CONTROL

L1A L2A L3A L1B L2B L3B MS MSX A1A F1 F2 X X2 1 2 3 4 5 6 7 8 9 10 11 12 13 14 15 16 17 18 19 20 21 22 23 24 25 26 27 28 29 30 31 32 33 34 35 36 37 38 39 40 41 42 43 44 45 46 47 48 49 50 51 52 53 54 55 56 57 58 59 60 61 62 63 64 65 66 67 68 69 70 71 72 73 74 75 76 77 78 79 80 81 82 83 84 85 86 87

87 Term

HATCH JUNCTION BOX

UL1 UL2 DV1 DV2 A1A F1 F2 X X2 1 2 3 4 5 6 7 8 9 10 11 12 13 14 15 16 17 18 19 20 21 22 23 24 25 26 27 28 29 30 31 32 33 34 35 36 37 38 39 40 41 42 43 44 45 46 47 48 49 50 51 52 53 54 55 56 57 58 59 60 61 62 63 64 65 66 67 68 69 70 71 72 73 74 75 76

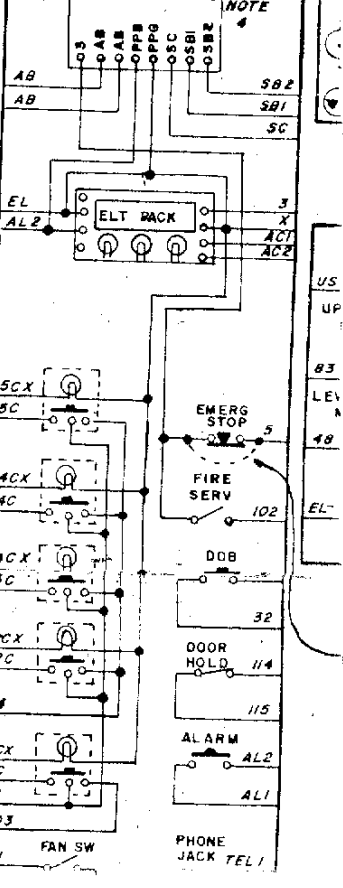
76 Terminals

TRAVEL CABLES 55 CONDUCTOR

A1 A2 F1 F2 X 1 2 3 4 5 6 9 28 29 30 31 32 47 48 49 72 73 81 82 83 84 102 103 114 115 US DS UDL DDL SC SBI SBR AB AB TEL1 TEL2 AC1 AC1 AC2 AC2 FN L1 AL1 AL2 EL 1P 2P 3P 4P 5P 1C 2C 3C 4C 5C 1CX 2CX 3CX 4CX 5CX

64 Terminals

BELL CRT BRD

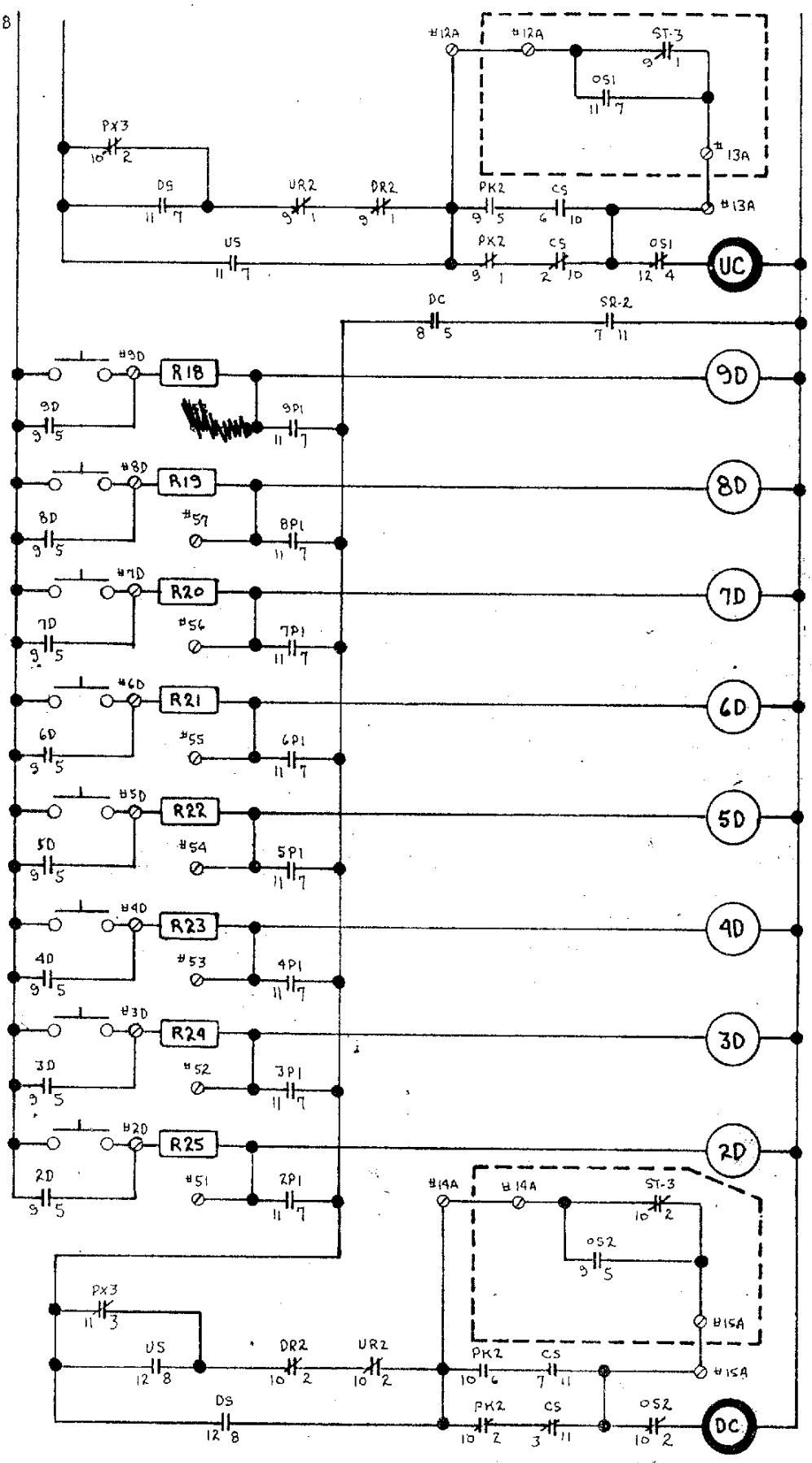


#3

#8

#11

#X



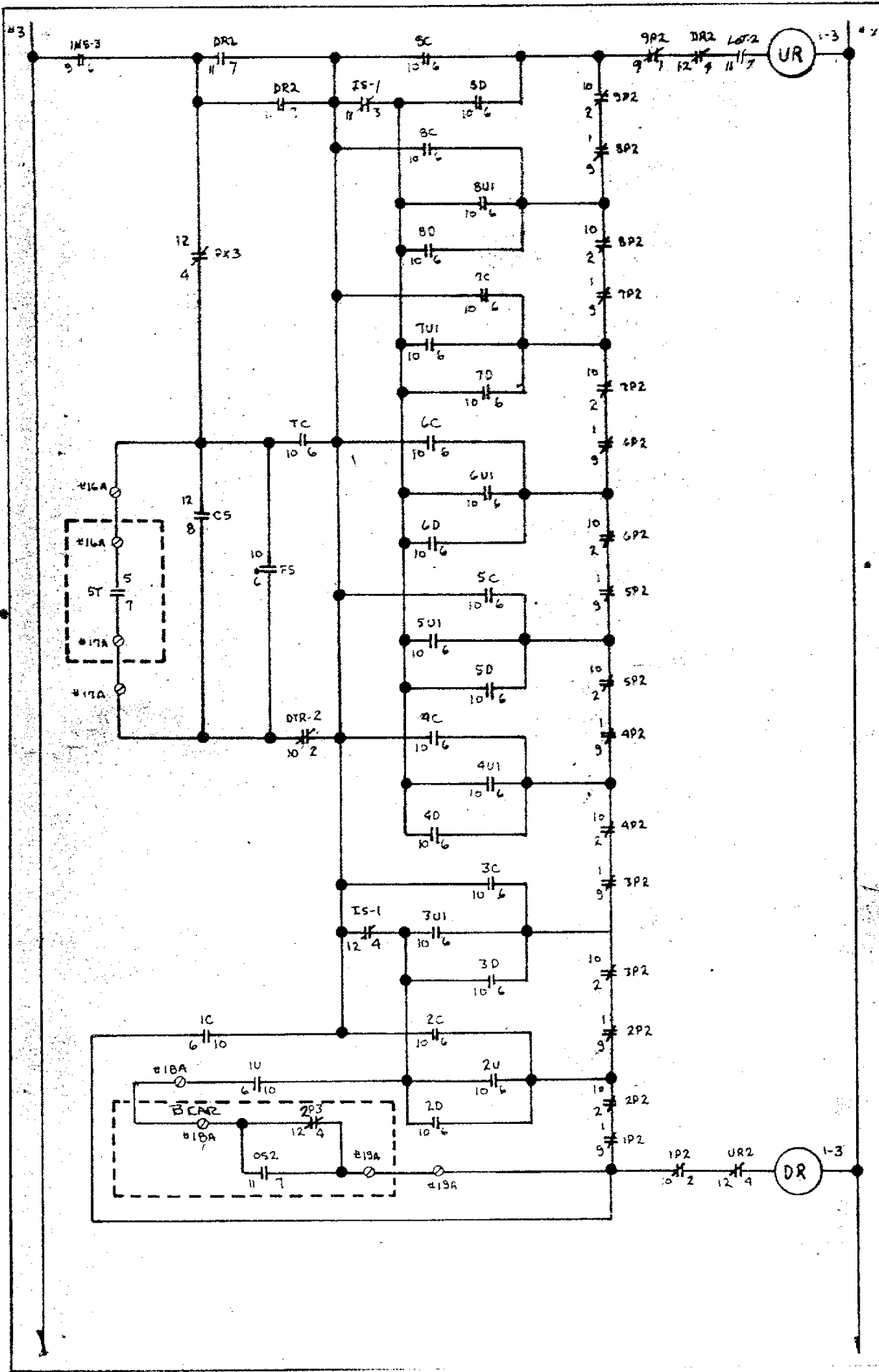
JOB NO. **G-1593**
 TYPE **SCS24** DUPL. DATE **1-1-54**

SHEET **6** of **26**
 DRAWN BY **A.D.S.**
 APPR. _____

JOB NAME & ADDRESS
SANDCASTLE

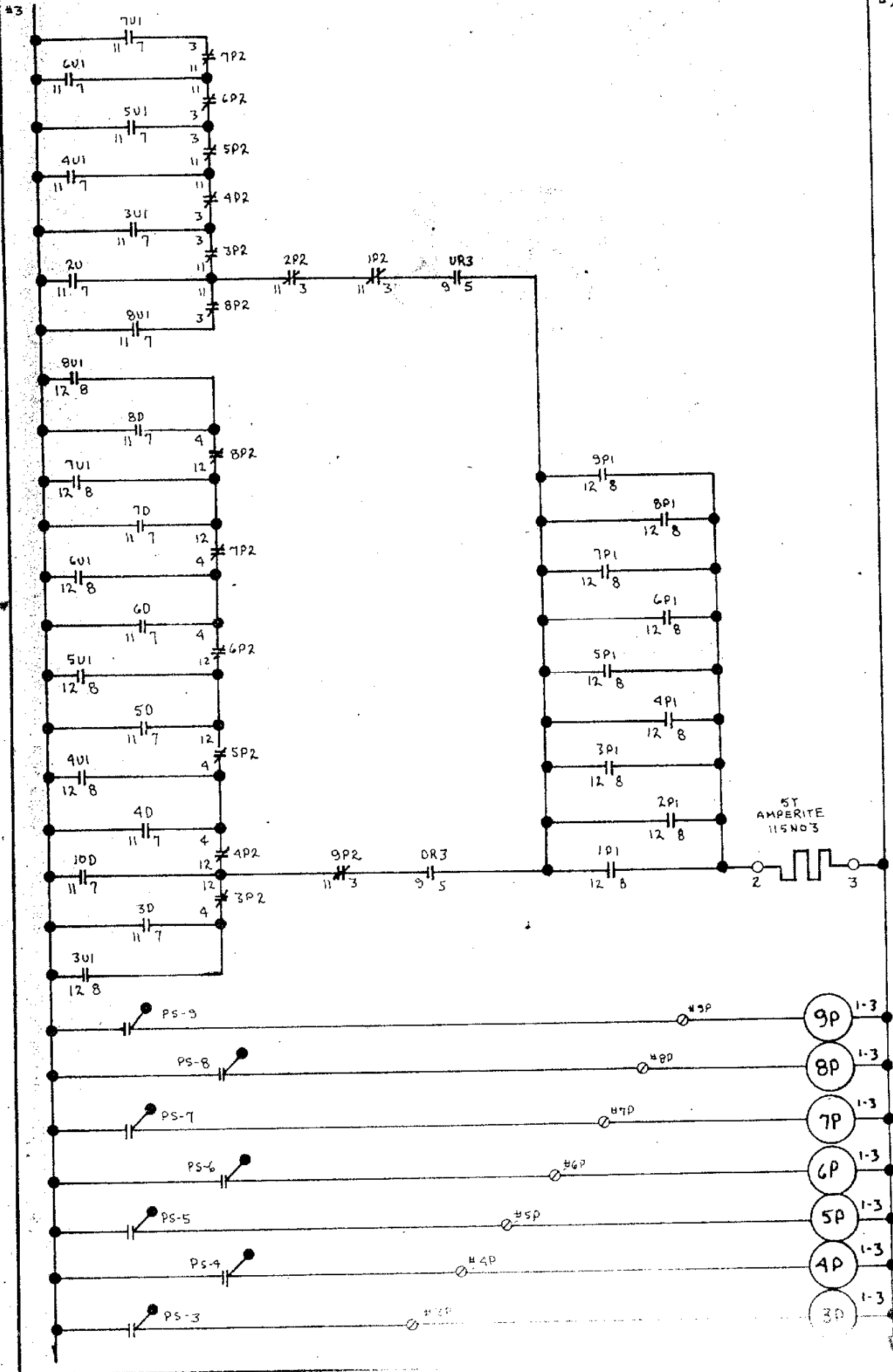
GENERAL ELEVATOR

GENERAL ELEVATOR CORP.
 P.O. BOX 7931 855-8630
 ORLANDO, FLORIDA 32804



JOB NO. G-1593	SHEET 7 of 26	DRAWN BY J.O.S.
		DATE 07-30-74
		DWG NO.
JOB NAME & ADDRESS SANDCASTLE		
GENERAL ELEVATOR		
GENERAL ELEVATOR CORP. P.O. BOX 7931 855-8630 ORLANDO, FLORIDA 32804		

2
3
4
5
6
7
8
9
10
11
12
13
14
15
16
17
18
19
20
21
22
23
24
25

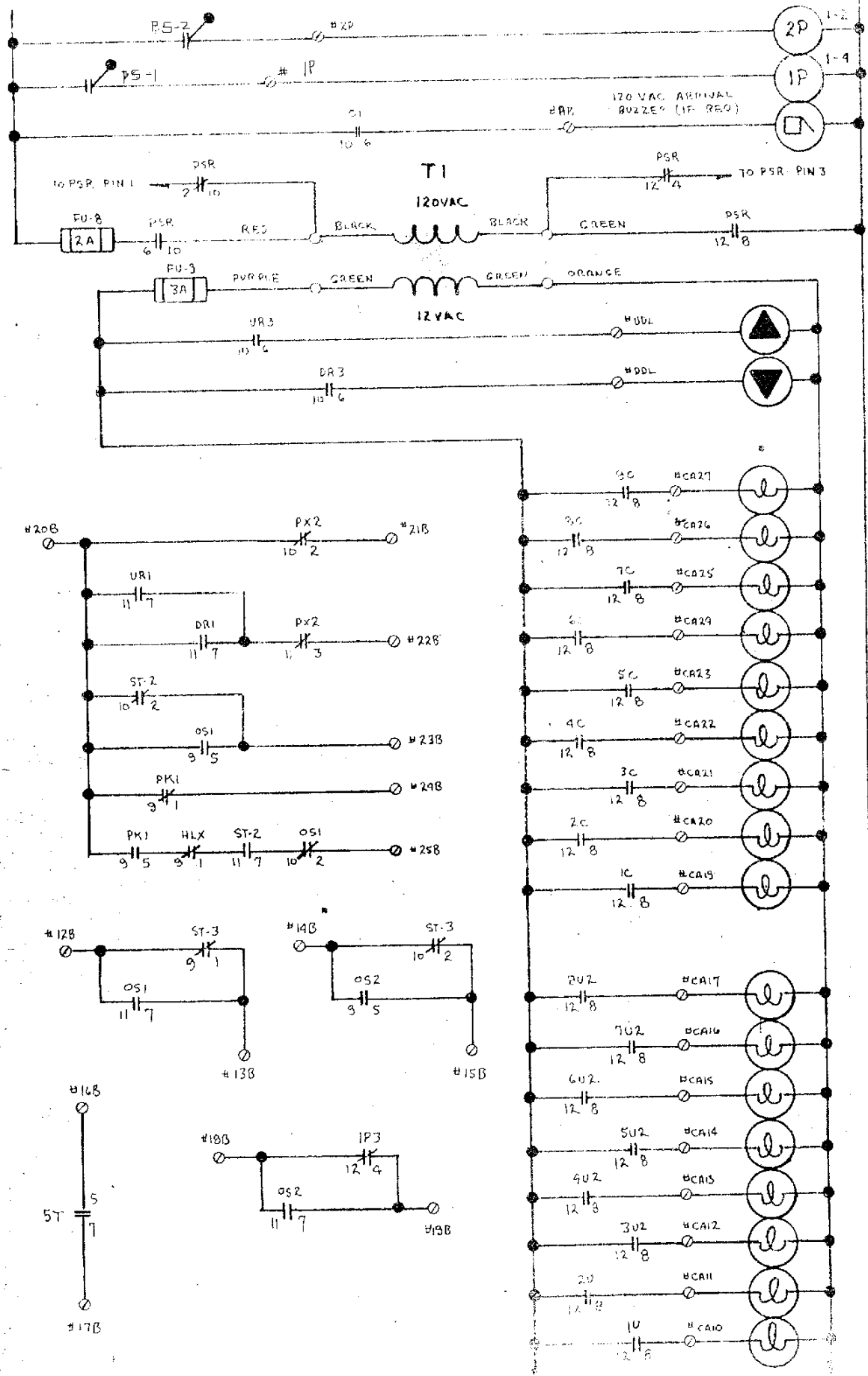


JOB NO.	6-1593
TYPE	90522 DUPL.
DATE	07-30-74
BY	8.D.8
APPR.	

JOB NAME & ADDRESS
SANDCASTLE



GENERAL ELEVATOR CORP.
 BOX 7931 855-8630
 COR. FLORIDA 32804



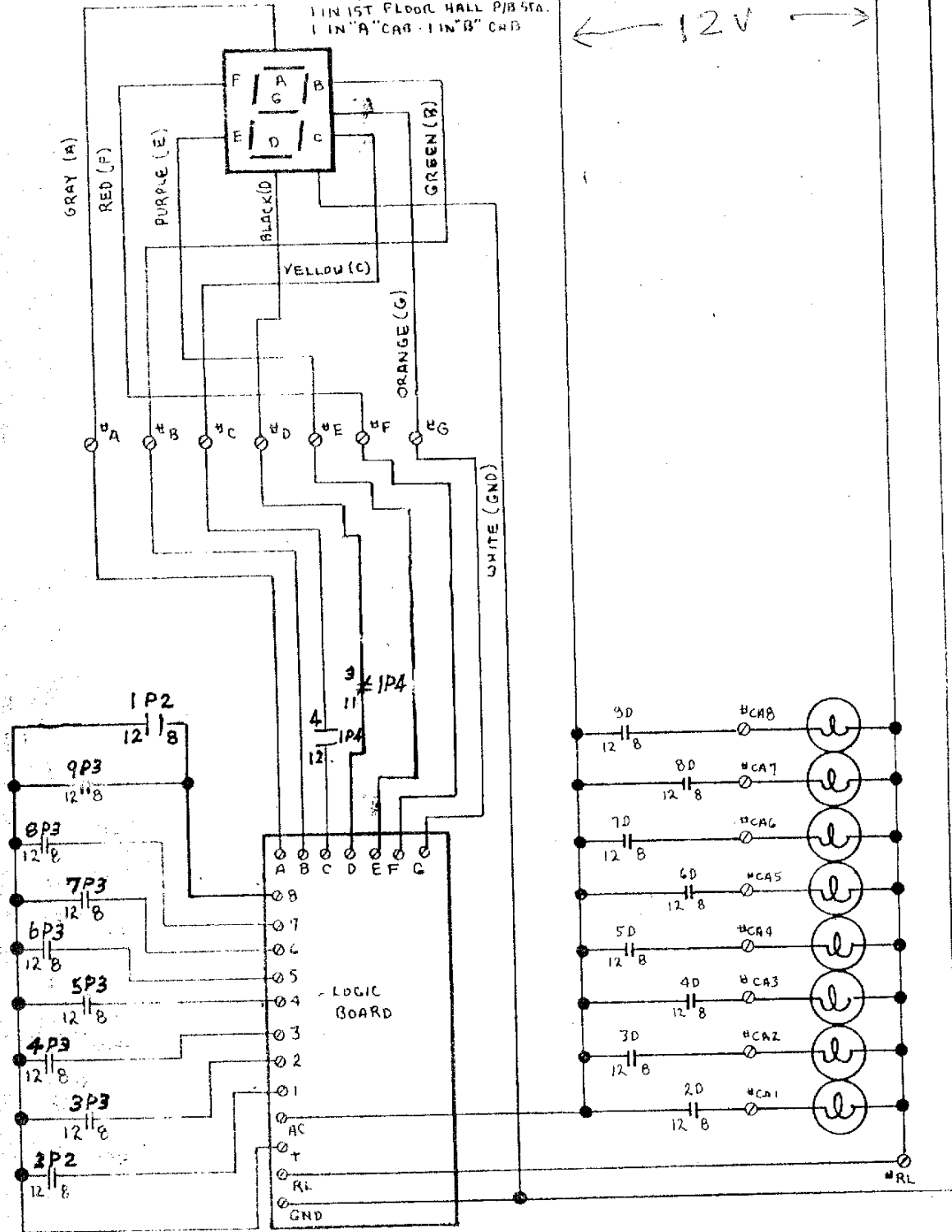
JOB NO. **G-1593**
 SHEET **9** of **26**
 TYPE SC52L-DUPL. DATE
 DRAWN BY APPR.

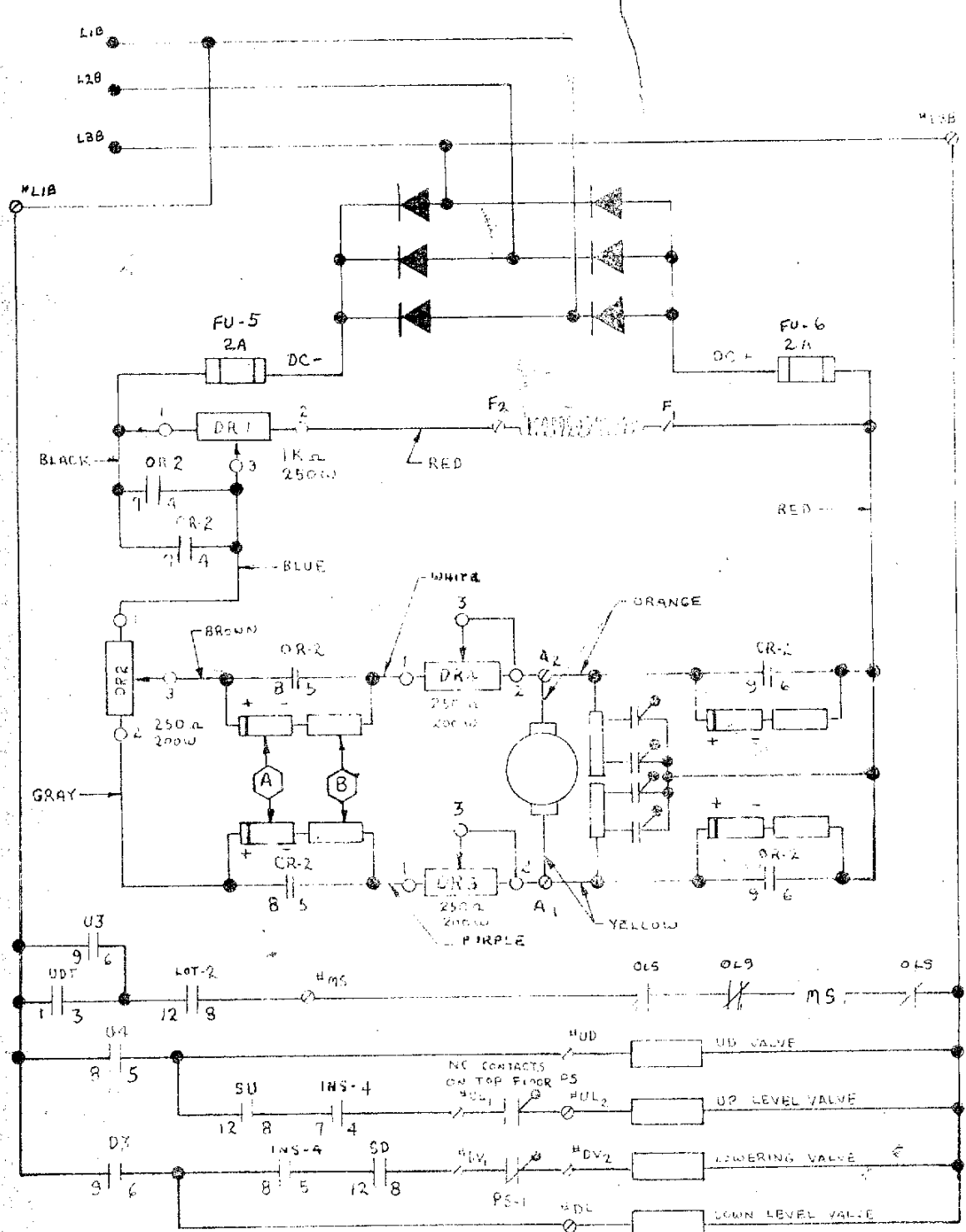
JOB NAME & ADDRESS
SANDCASTLE

GENERAL
 FLEETSON CORP. 853-8530
 4000 791

POSITION INDICATOR
 3 REQ.
 1 IN 1ST FLOOR HALL P/B STA.
 1 IN "A" CAB - 1 IN "B" CAB

← 12V →



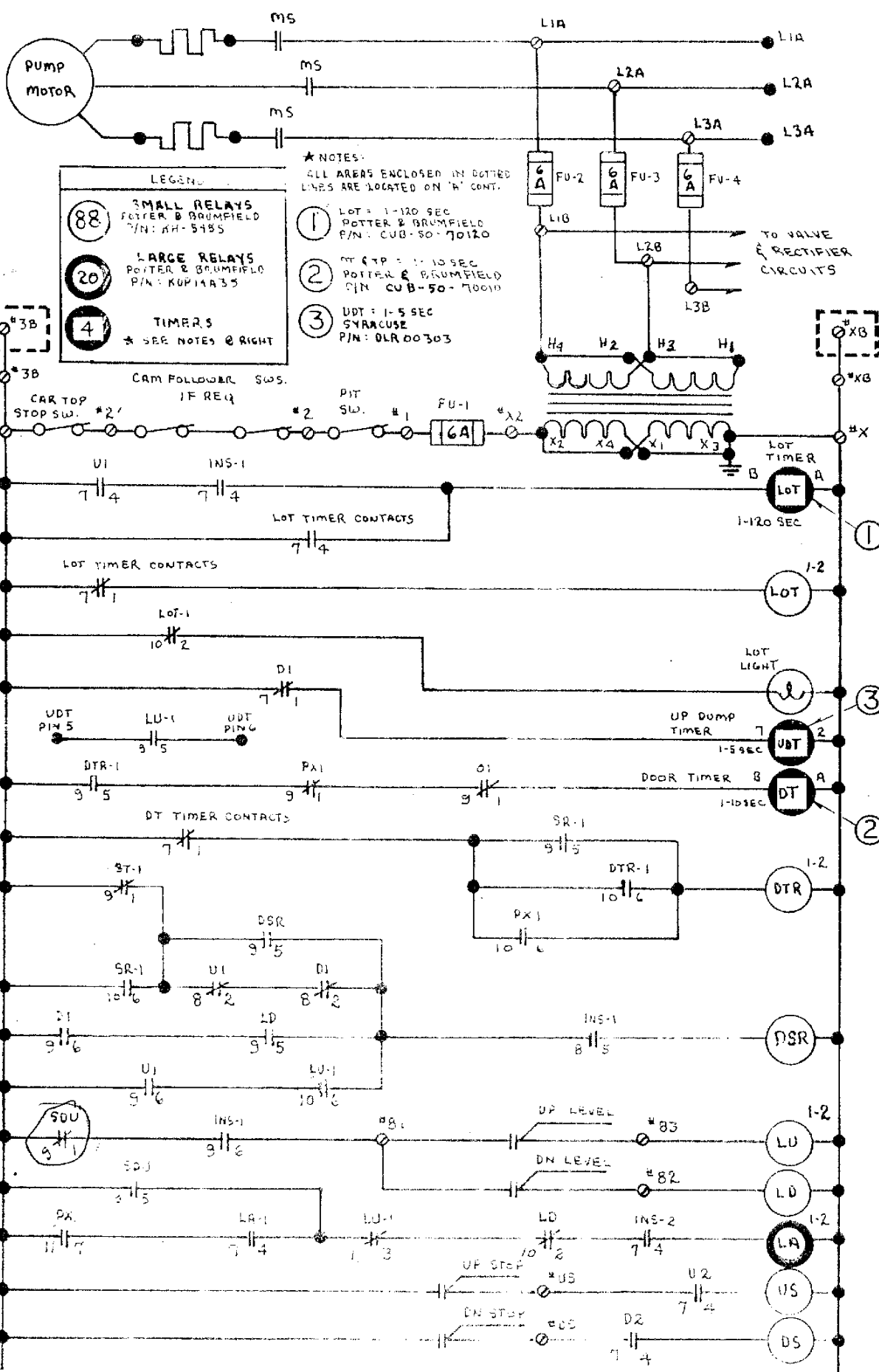


NOTE:

(A) .47 μ F, 400 VDC CAPACITOR - 4 REQ.

(B) 25 Ω , 5W RESISTOR - 4 REQ.

JOB NO		SHEET		DRAW BY		APPR.	
G-1593		11		3-6			
TYPE		DATE		DWG NO.			
DUPLX		ALL CONTROLLERS					
JOB NAME & ADDRESS							
SANDCASTLE							
GENERAL ELEVATOR CORP. P.O. BOX 7931 855-8630 ORLANDO, FLORIDA 32804							

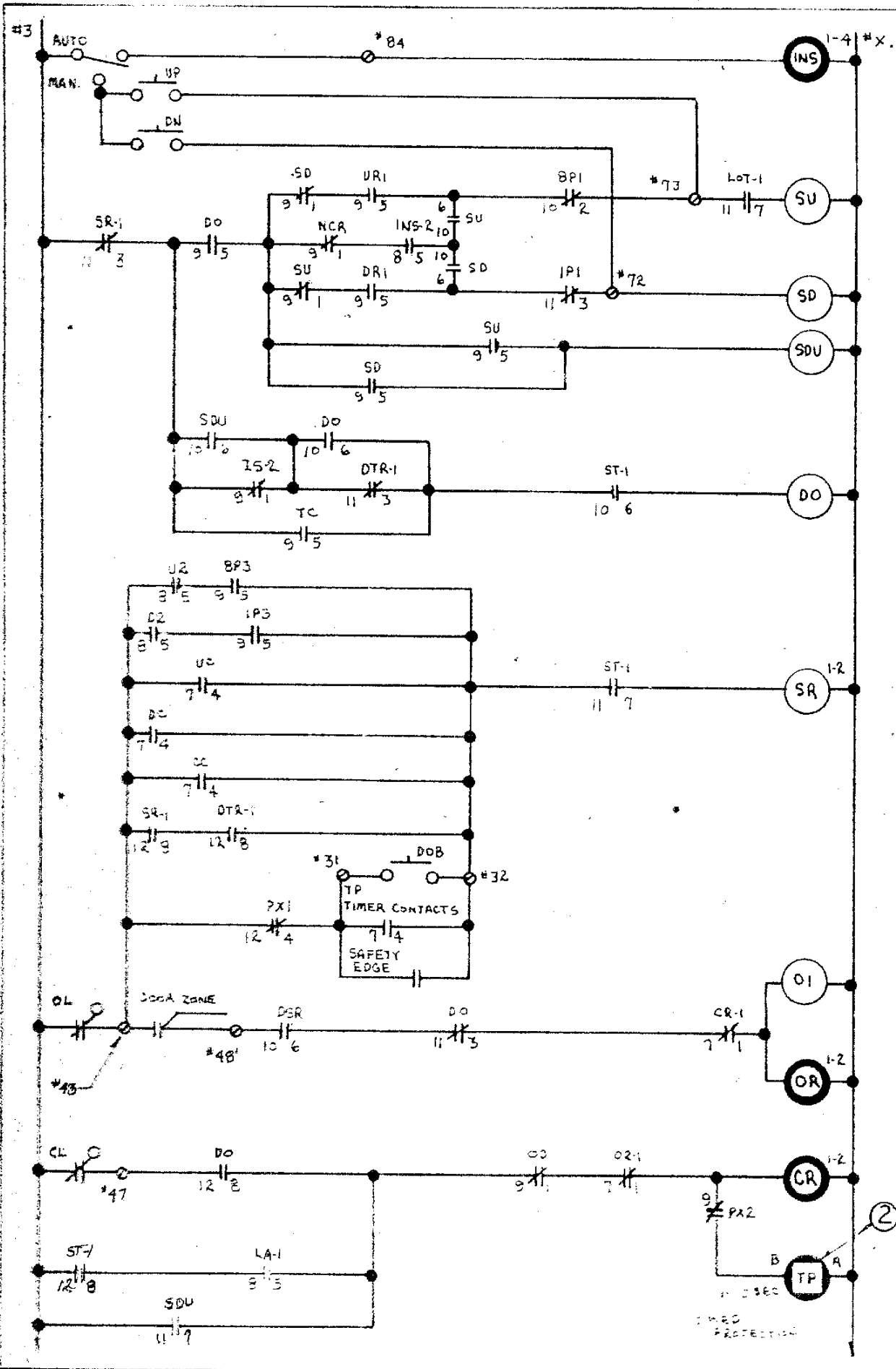


JOB NO. **G-1594**
 SHEET **12** OF **26**
 DRAWN BY **APPE**
 DATE **02-13-74**
 TYPE **BCS2L DUPL.**
 'B" CAR

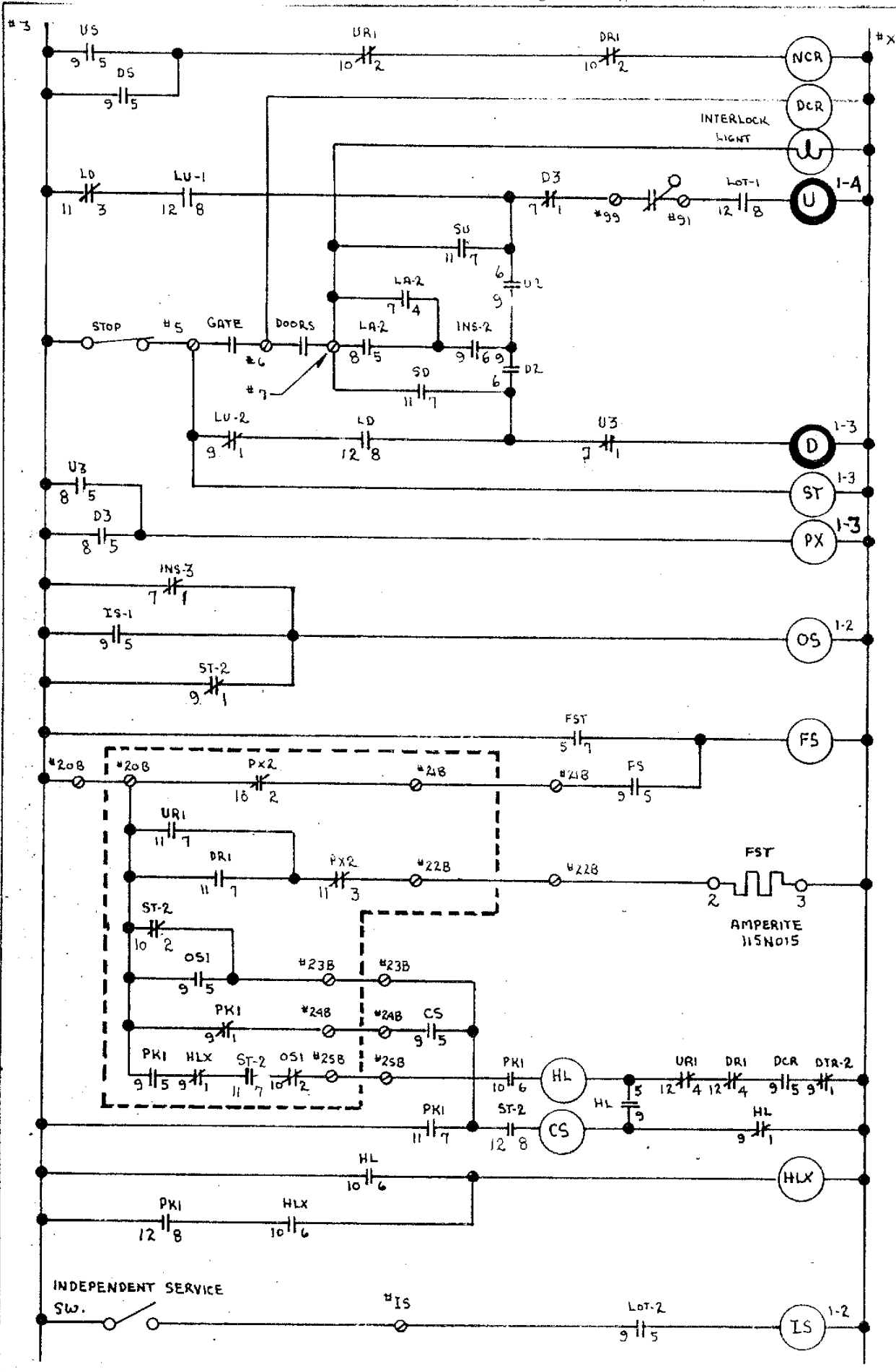
JOB NAME & ADDRESS
SANDCASTLE

GENERAL ELEVATOR CORP.

GENERAL ELEVATOR CORP.
 P.O. BOX 7931 855-8630
 ORLANDO, FLORIDA 32804



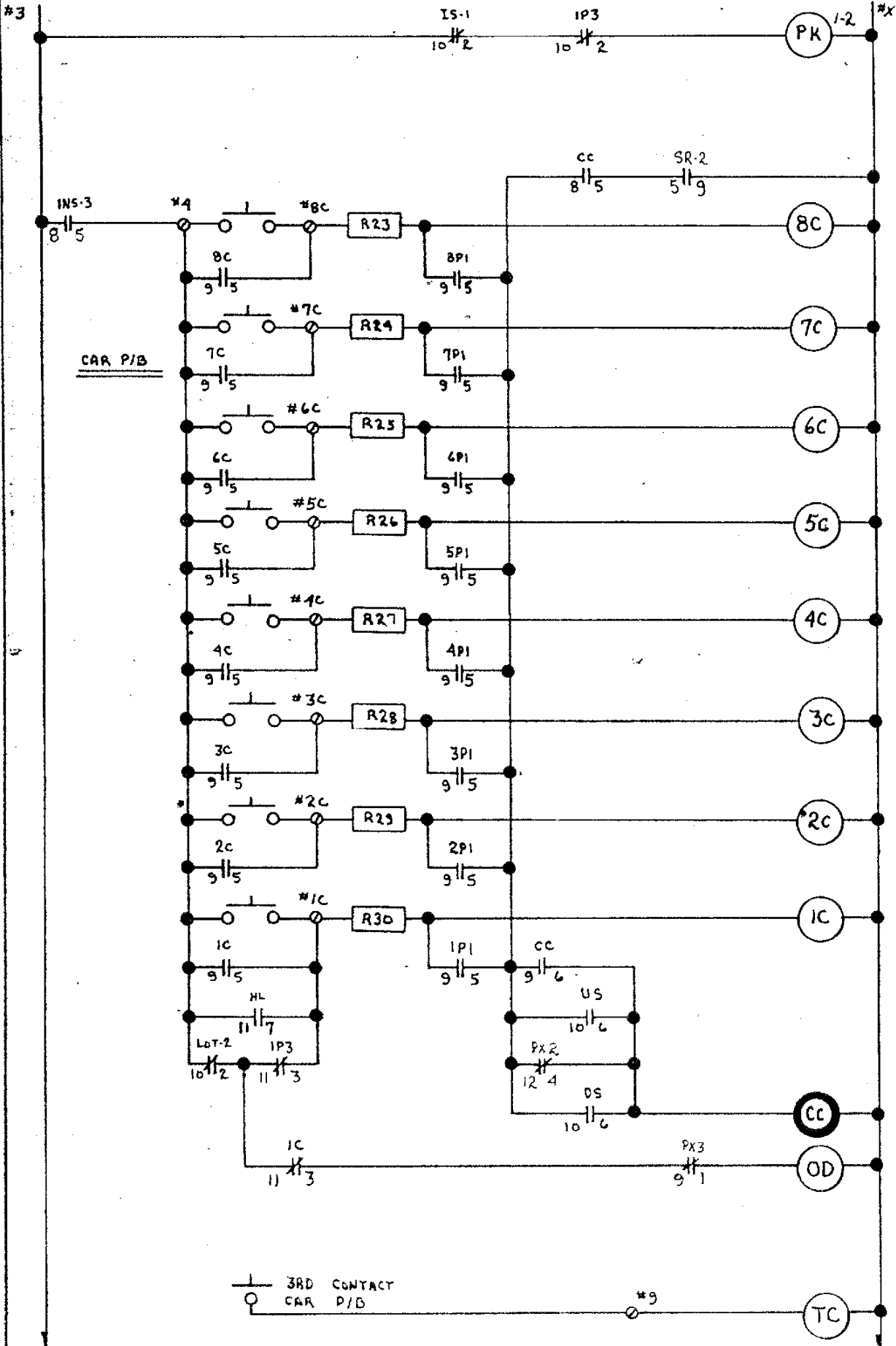
JOB NO. G-1594		SHEET 13 of 26		DRAWN BY A.D.J.	
JOB NAME & ADDRESS SANDCASTLE		DATE 02-12-74		DWG NO.	
GENERAL ELEVATOR CORP.		TYPE BC5LL DUPL.		DATE 02-12-74	
P.O. BOX 7931 855-8630		ORLANDO, FLORIDA 32804		JOB NO. G-1594	
ORLANDO, FLORIDA 32804		TYPE 'B' CAR		DATE 02-12-74	



JOB NO.	SHEET	DRAWN BY	APPR.
G-1594	13 of 26	4.0.3	
TYPE BCSZL DUPL.		DATE	DWG NO.
'8" CAR		02-13-74	

JOB NAME & ADDRESS
SANDCASTLE

GENERAL ELEVATOR CORP.
 P.O. BOX 7931 855-8630
 ORLANDO, FLORIDA 32804



CAR P/B

3RD CONTACT CAR P/B

JOB NO. **G-1594**
 SHEET **15** OF **26**
 DRAW. BY **A.D.S.**
 TYPE **BC31L DUPL.** DATE **02-13-74**
 DWG NO.

JOB NAME & ADDRESS
SANDCASTLE



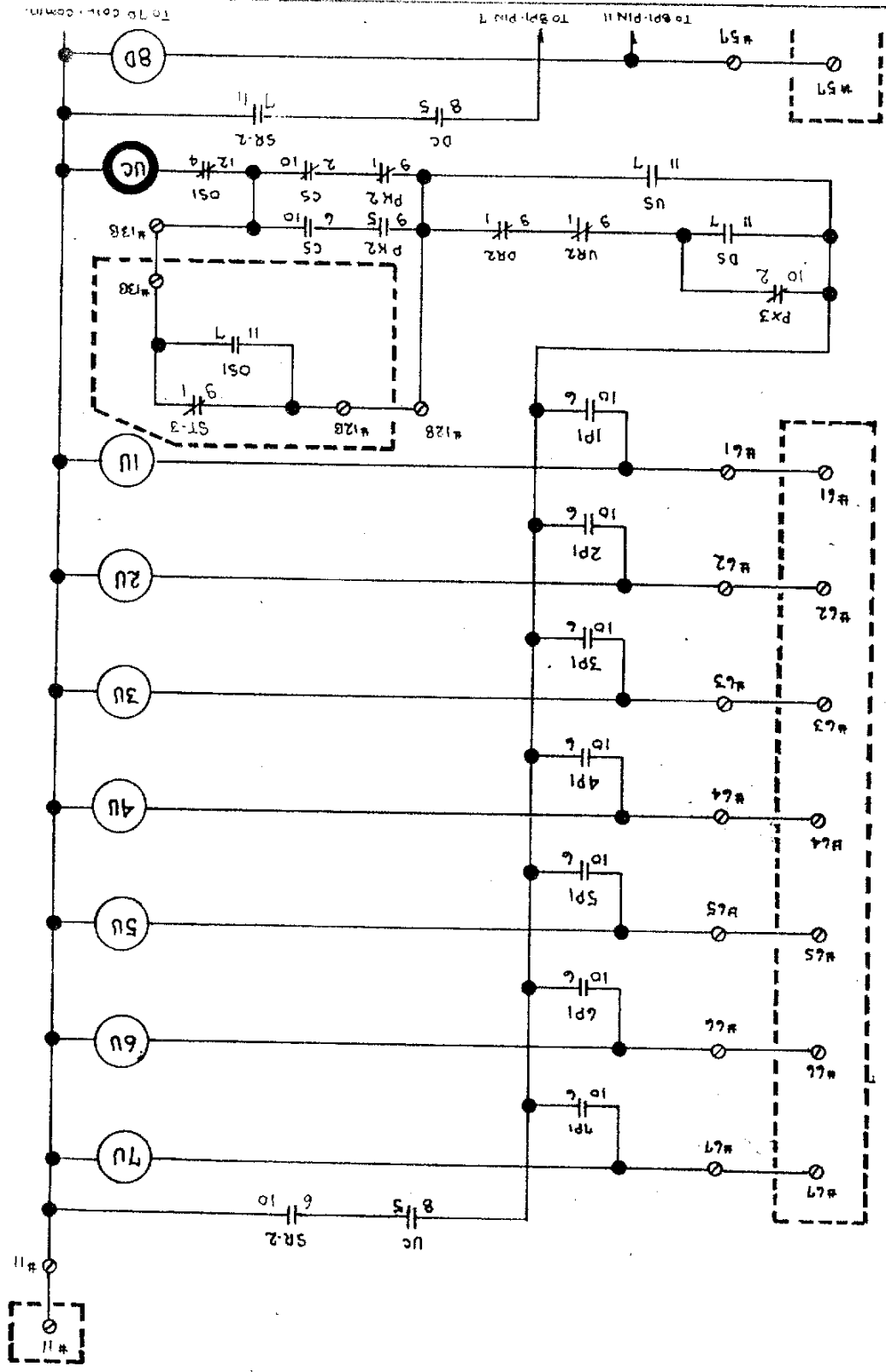
GENERAL ELEVATOR CORP.
 P.O. BOX 7931 855-8630
 ORLANDO, FLORIDA 32804

GENERAL ELEVATOR CORP.
 P.O. BOX 7931 855-8630
 ORLANDO, FLORIDA 32804

GENERAL ELEVATOR

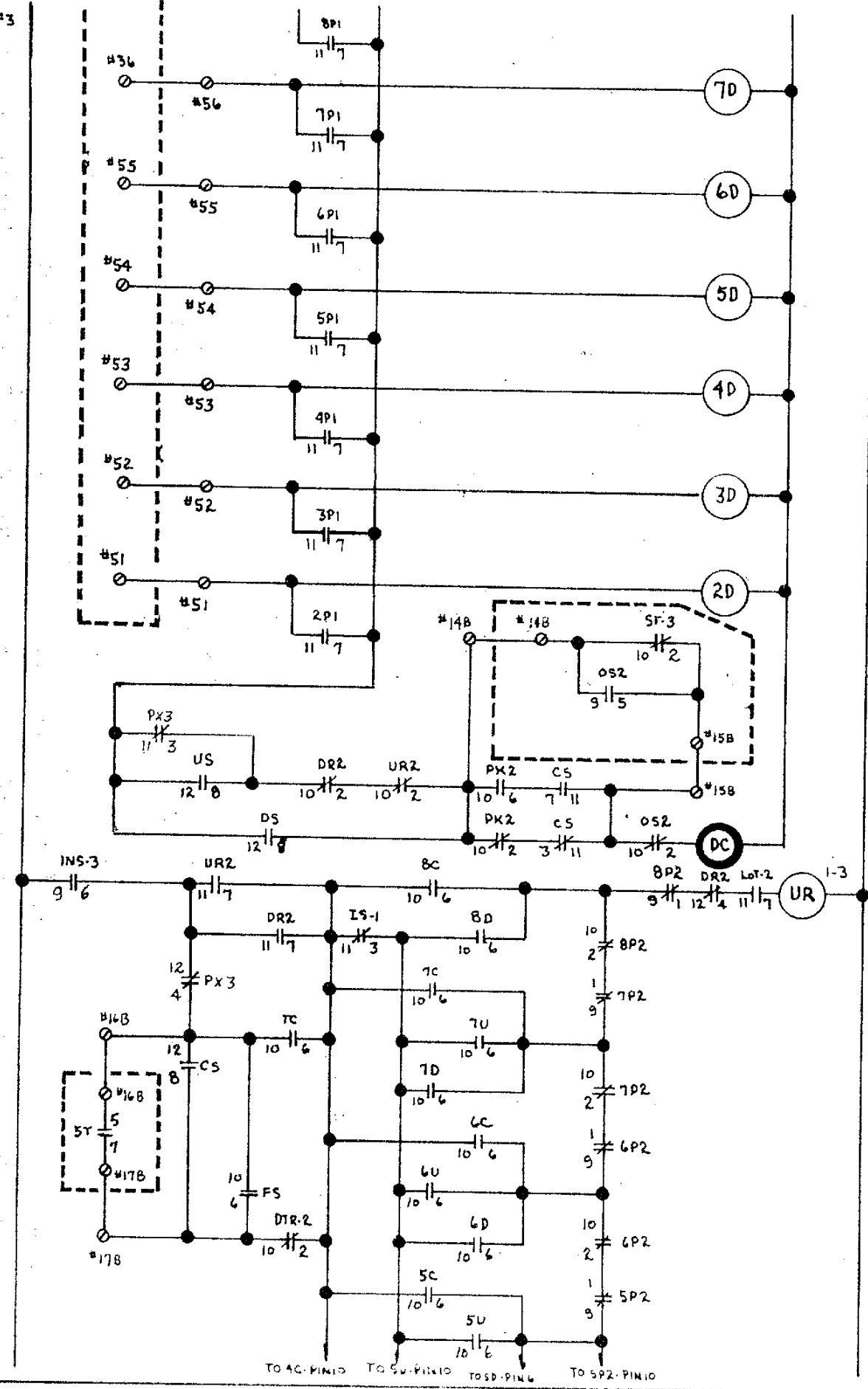
JOB NAME & ADDRESS
SANDCASTLE

JOB NO. **G-1594** SHEET **16** OF **26** DRAW. BY **f.d.j.**
 TYPE **BCS2L OVAL** DATE DATE DWG NO. _____



#3

#X



JOB NO. **G-1594**
 SHEET **17** of **26**
 TYPE BCSEL DUPL
 'B' CAC

DRAW BY APPR
A.D.S.
 DATE **02-13-25**
 DWG NO.

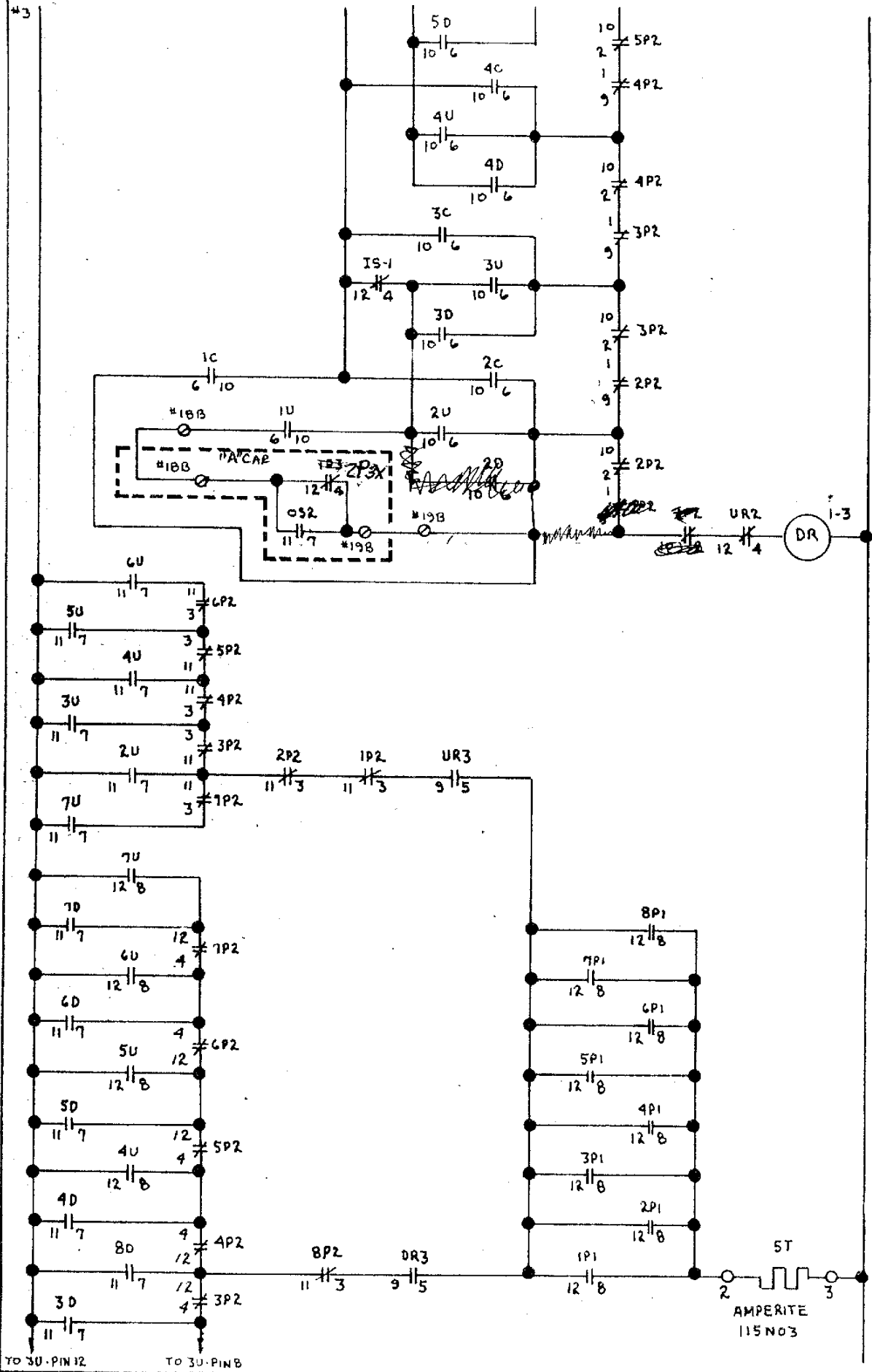
JOB NAME & ADDRESS
SANDCASTLE

GENERAL ELEVATOR CORP.
 P.O. BOX 7931 855-8630
 ORLANDO, FLORIDA 32804

1
2
3
4
5
6
7
8
9
10
11
12
13
14
15
16
17
18
19
20
21
22
23
24
25
26

#3

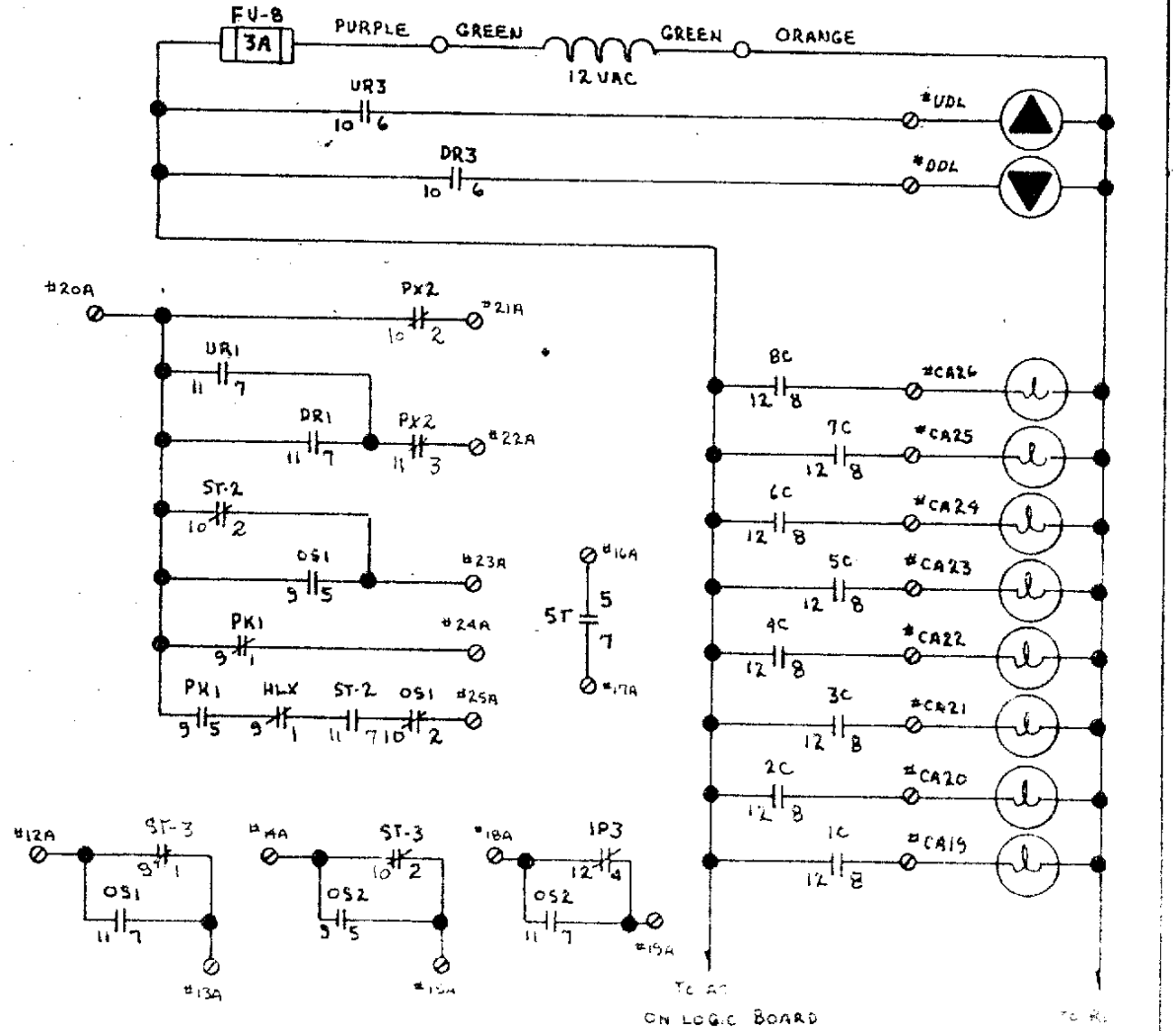
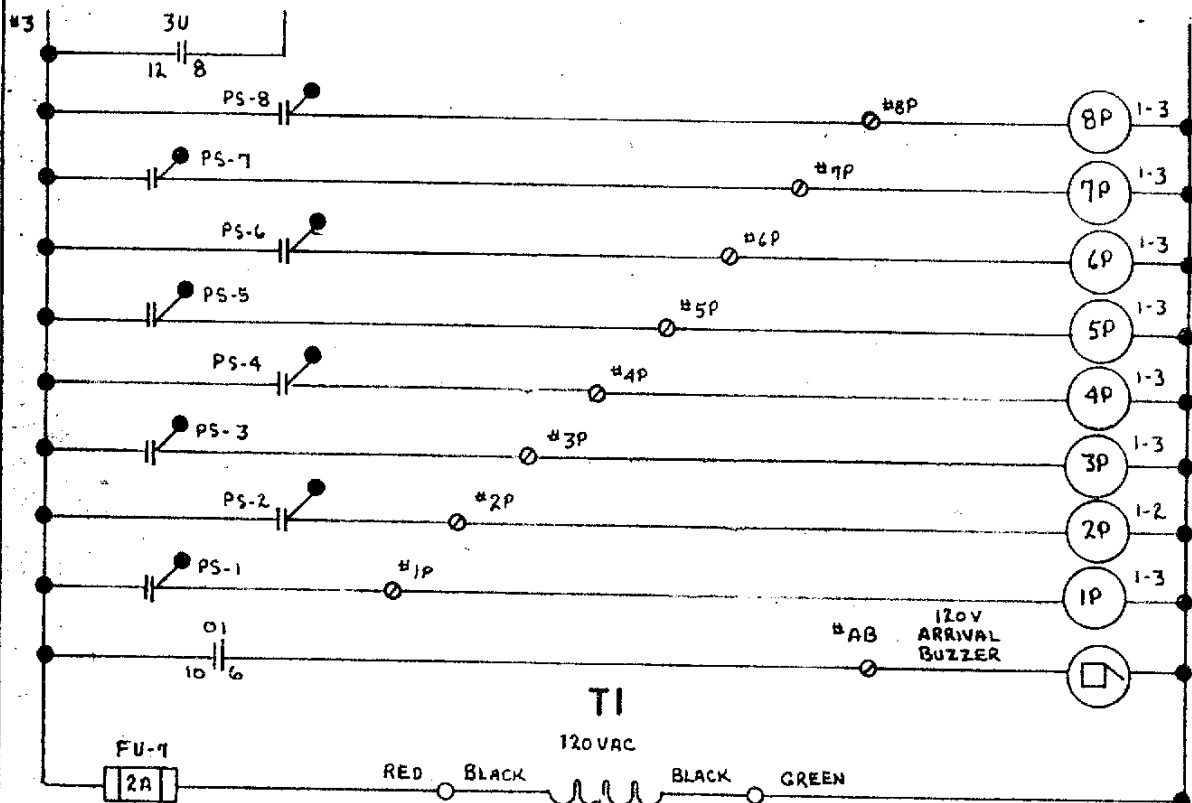
X



JOB NO G-1594	SHEET 18 of 26	DRAWN BY FDJ	APPR
TYPE BCS&L DUPL "B" CAR		DATE 02-13-74	
JOB NAME & ADDRESS SANDCASTLE		DWG NO.	



GENERAL ELEVATOR CORP.
P. O. BOX 7931 855-8630
ORLANDO, FLORIDA 32804



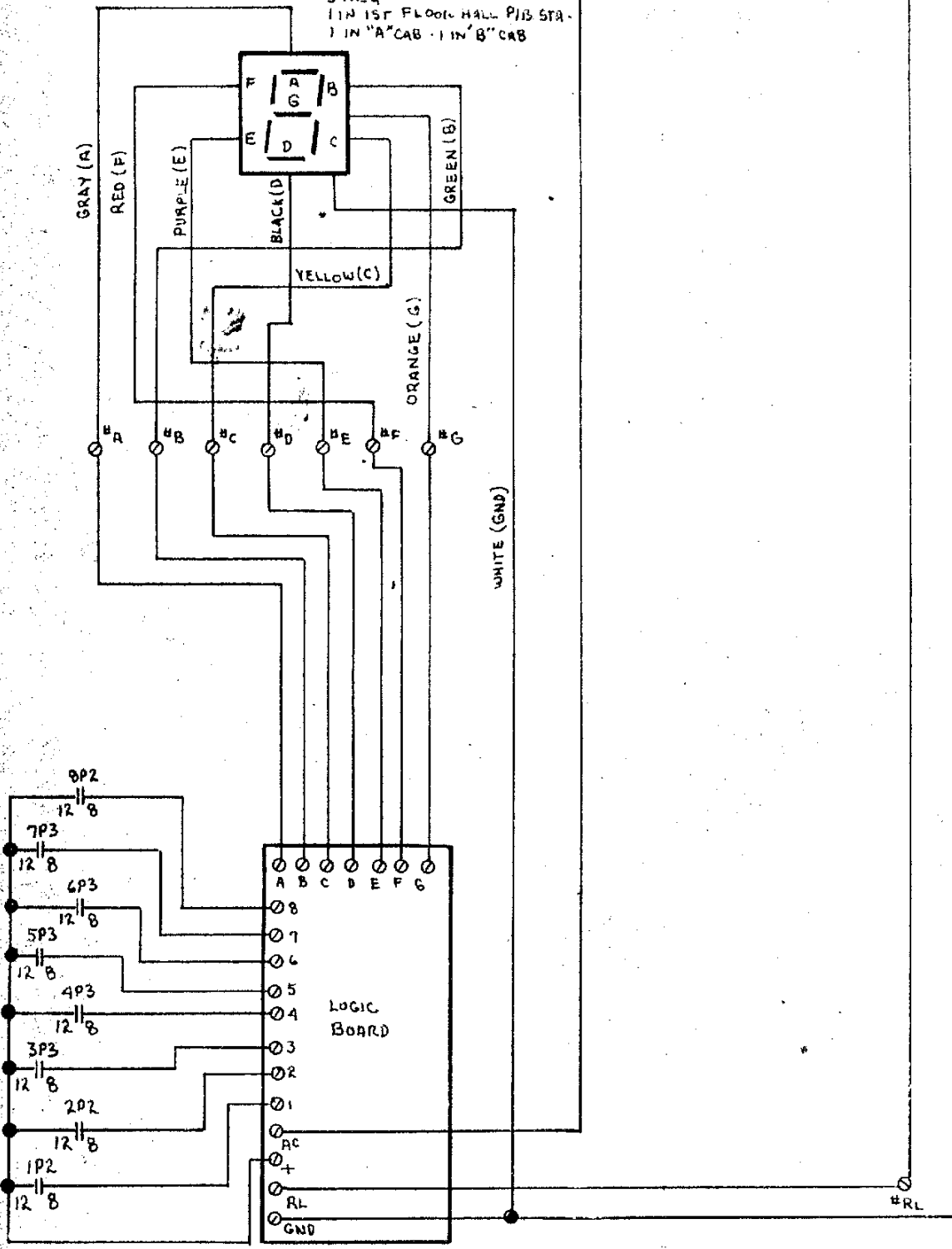
JOB NO. **G-1594**
 SHEET **18** of **26**
 TYPE **BC524 DUPL.**
 DRAW. BY **A.D.S.**
 DATE **02-13-79**
 DWG NO.

JOB NAME & ADDRESS
SANDCASTLE



GENERAL ELEVATOR CORP.
 P.O. BOX 7597 855-8630
 ORL 2-900, FLORIDA 32804

POSITION INDICATOR
 3 REQ
 1 IN 1ST FLOOR HALL P/B STA.
 1 IN "A" CAB - 1 IN "B" CAB



JOB NAME & ADDRESS
SAND CASTLE



GENERAL ELEVATOR CORP.
 1000 N. 10TH ST. PHOENIX, ARIZ. 85004
 TEL. 352-2100

JOB NO.
6-1594

SHEET
28 of 26

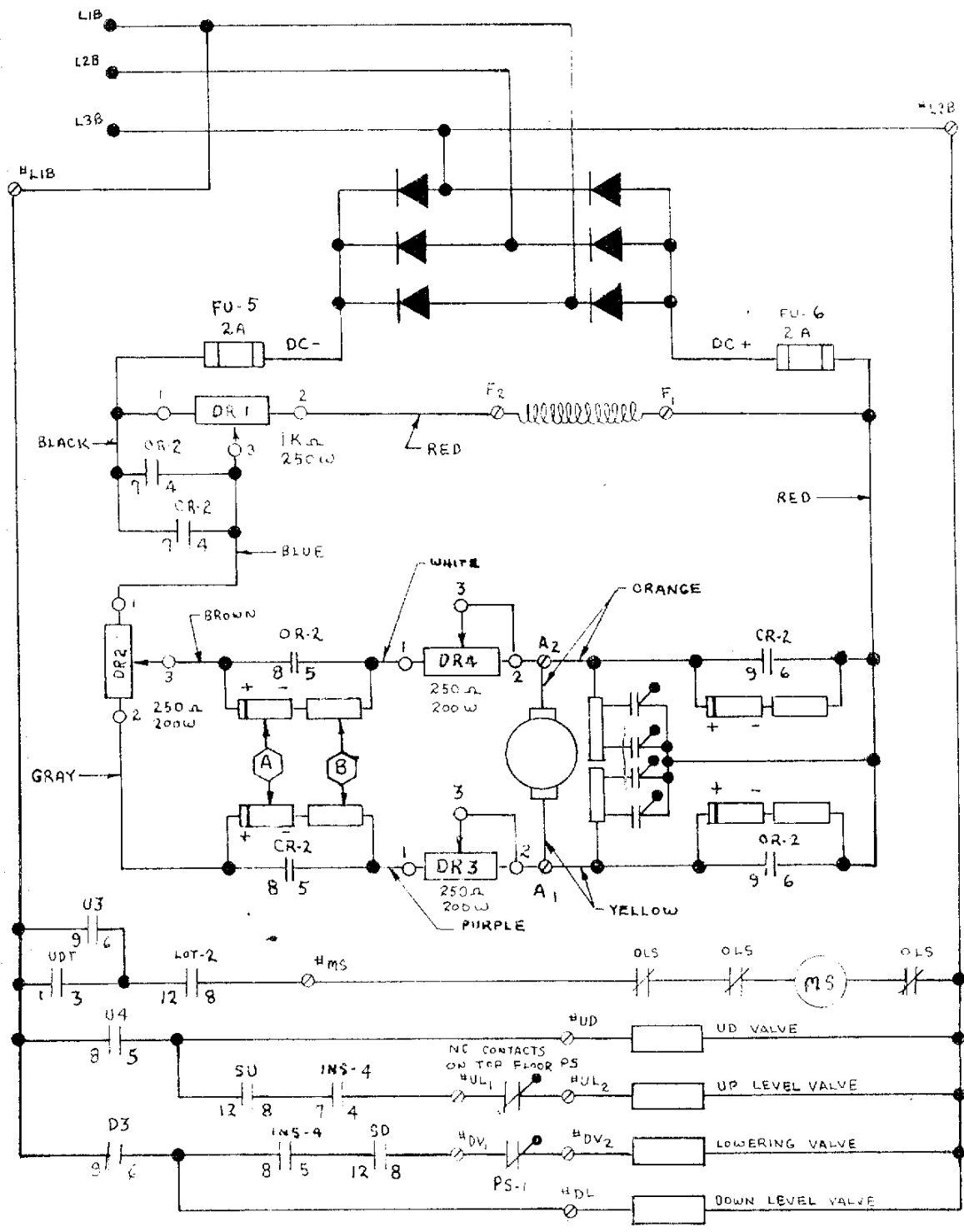
DRAW BY
A.O.S.

TYPE SERIAL DUPL.
 "B" CAB

DATE
02-13-74

DWG NO.

★X



NOTE:

(A) .47 mfd , 400 VDC CAPACITOR - 4 REQ.

(B) 25 Ω , 5W RESISTOR - 4 REQ.